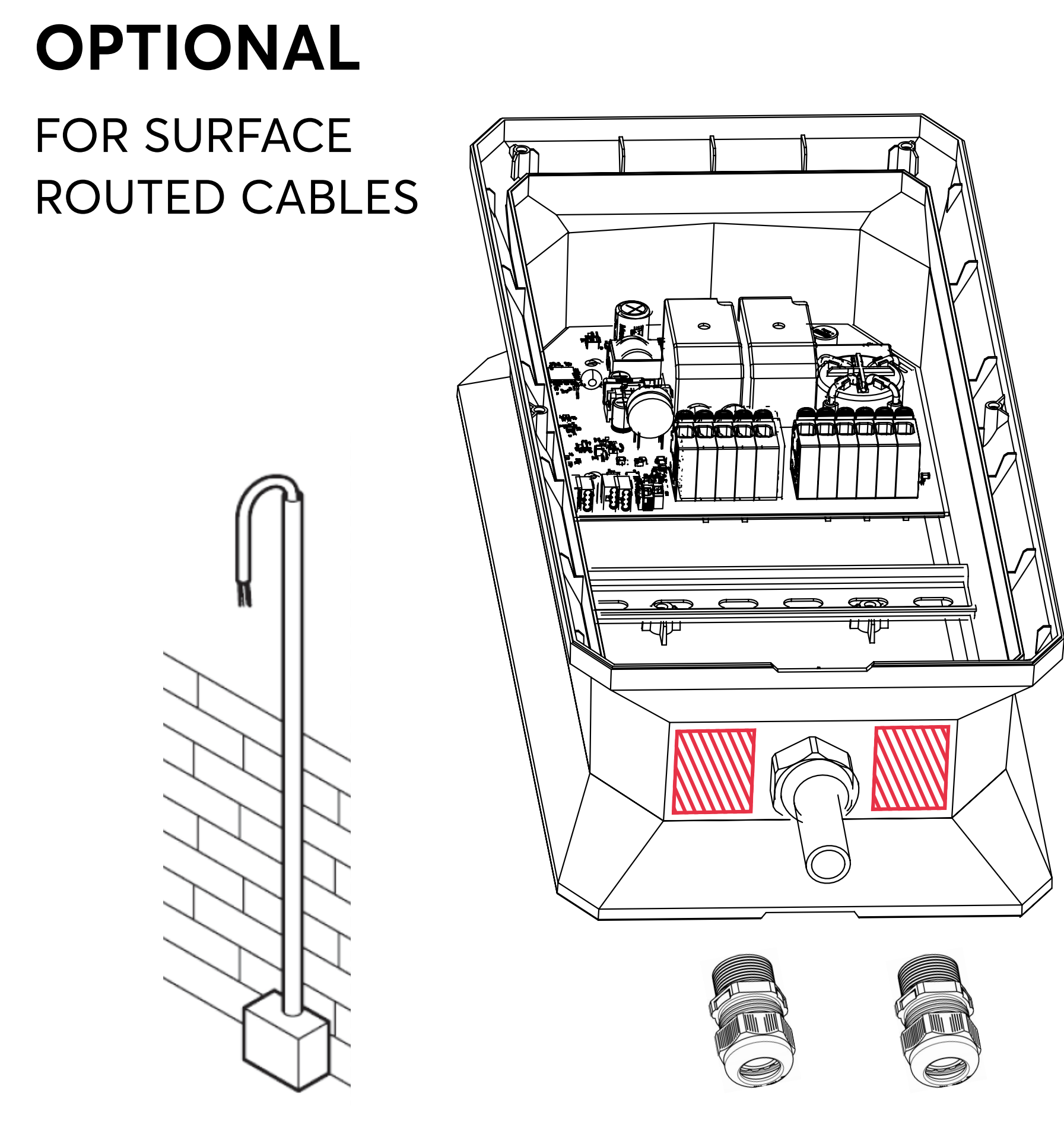
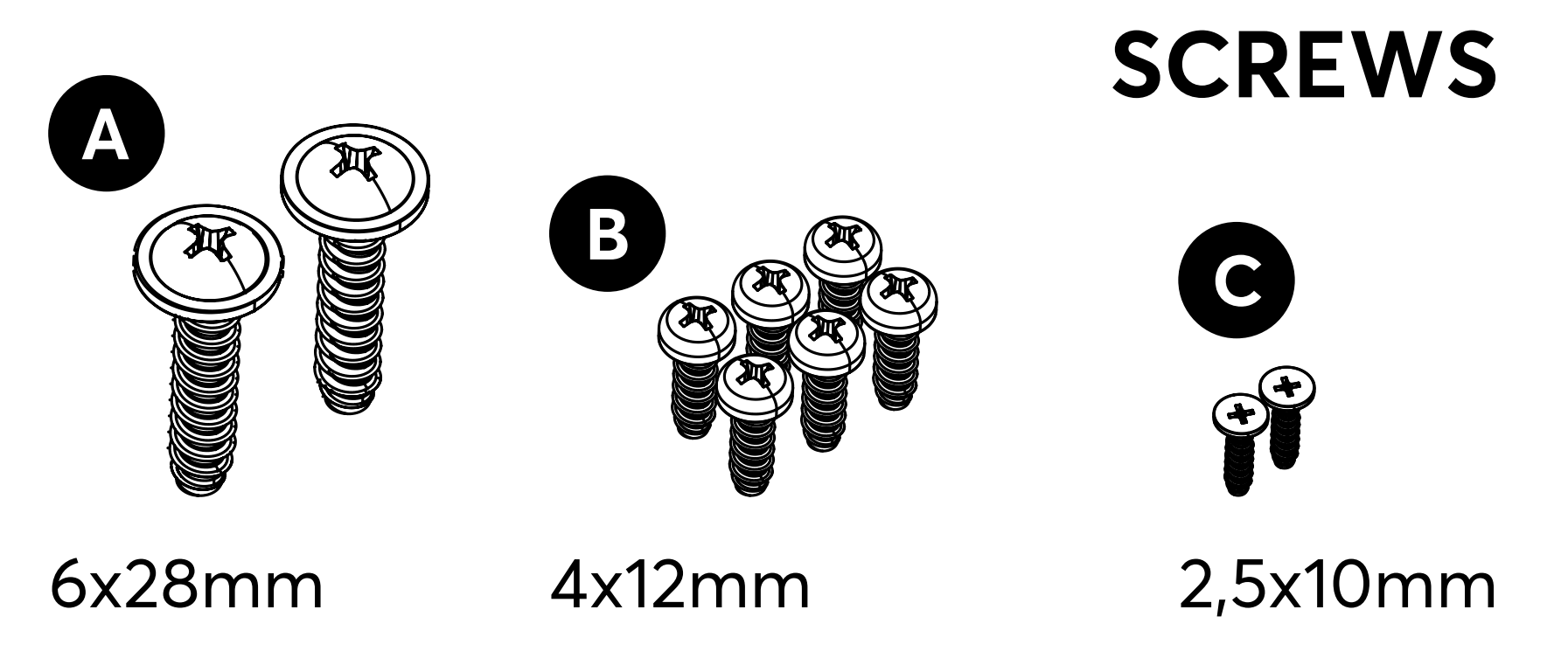
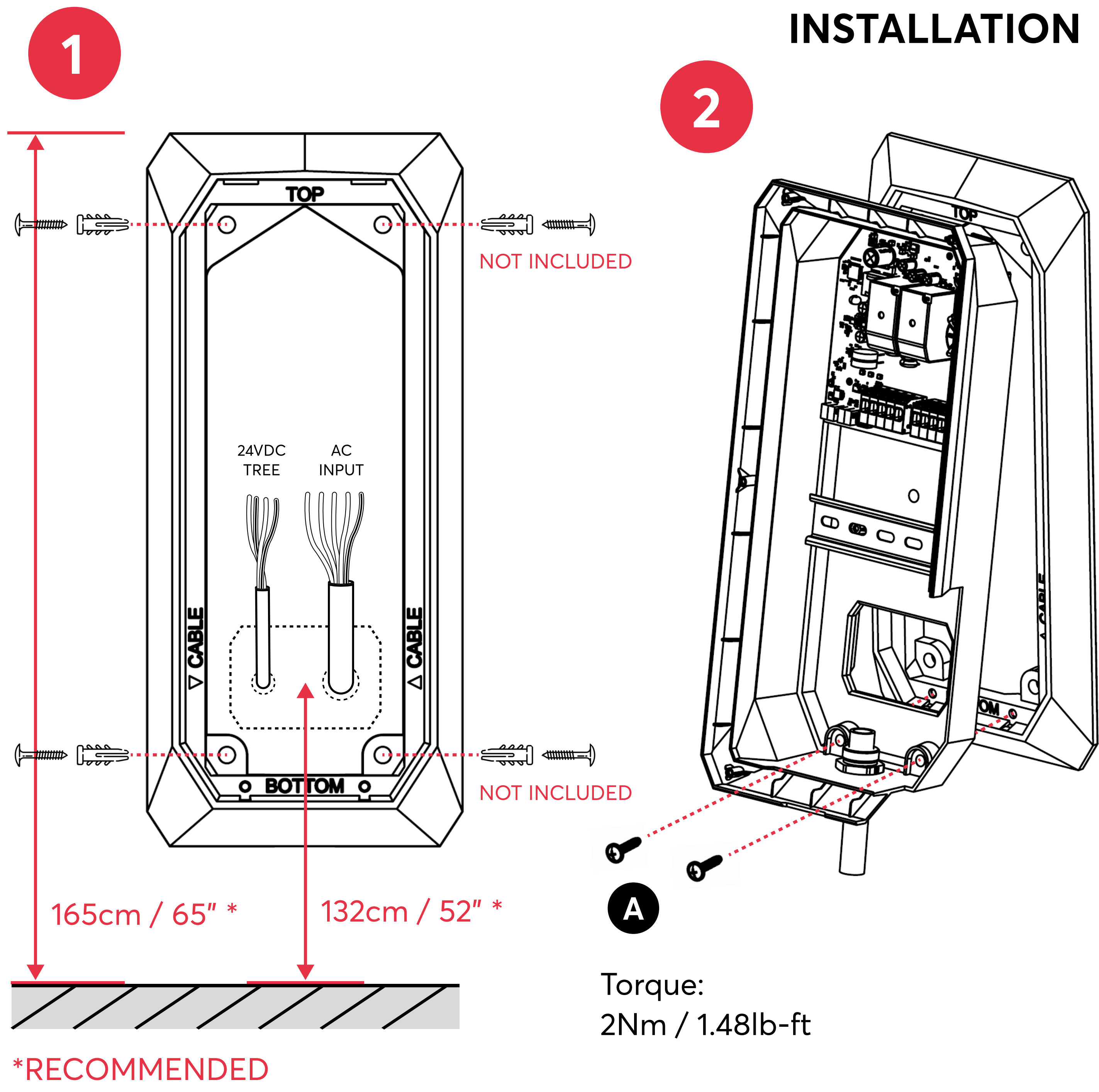
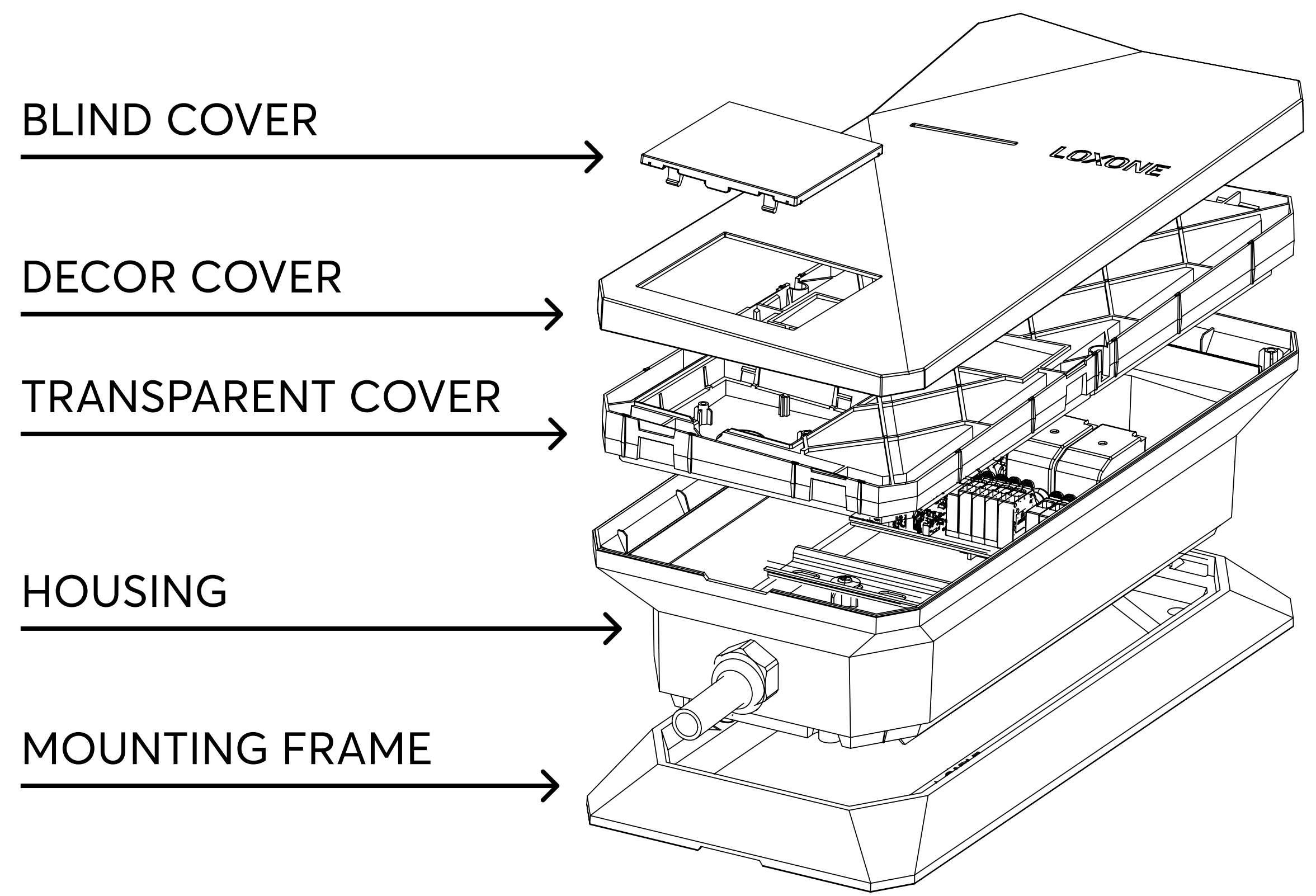


INSTALLATION INSTRUCTIONS

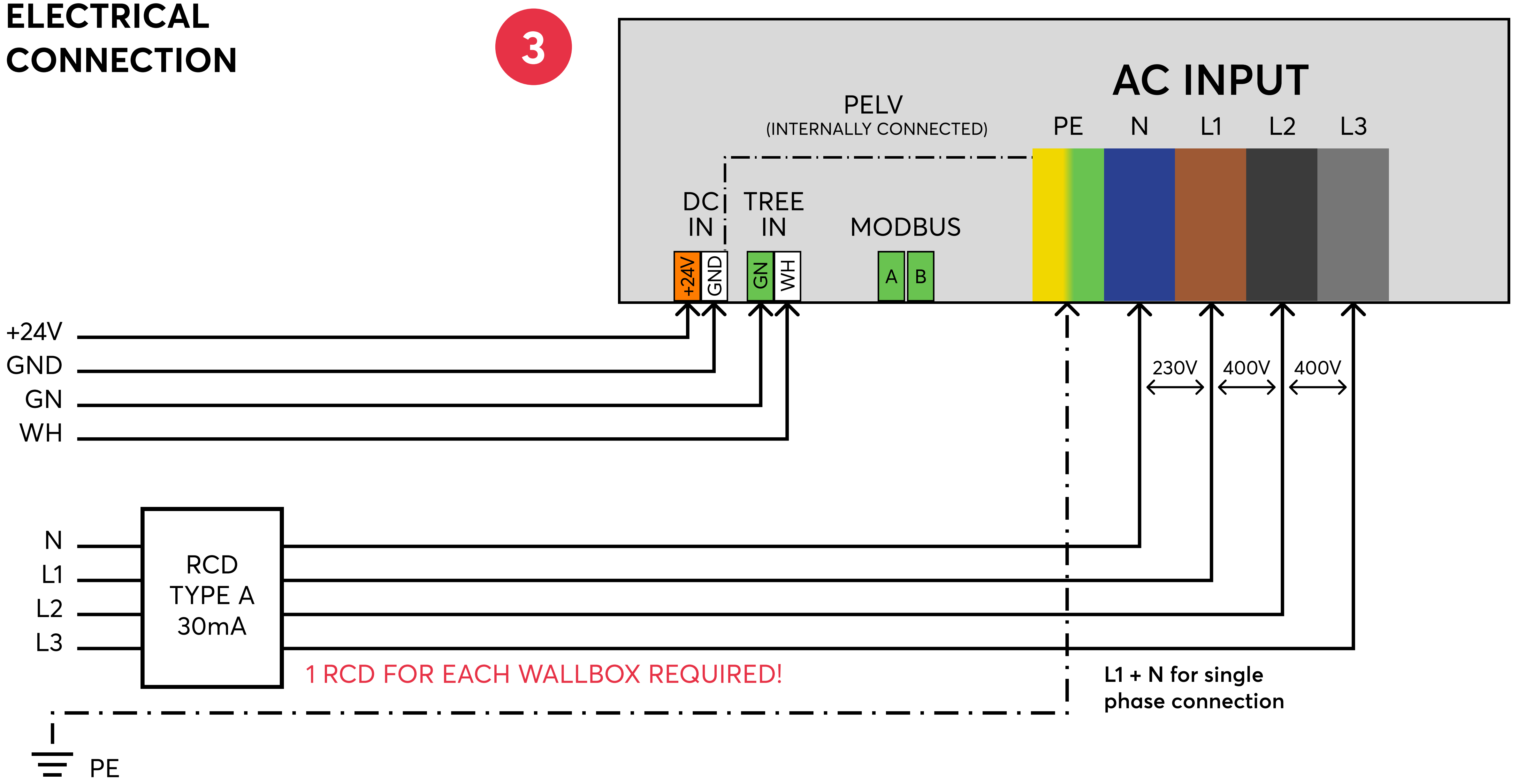
Wallbox 11kW

16A Tree

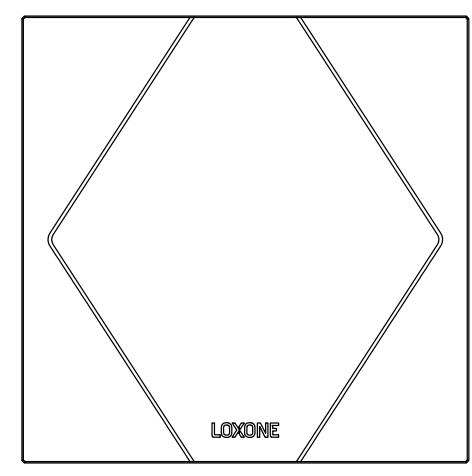
PART NO.: 100526



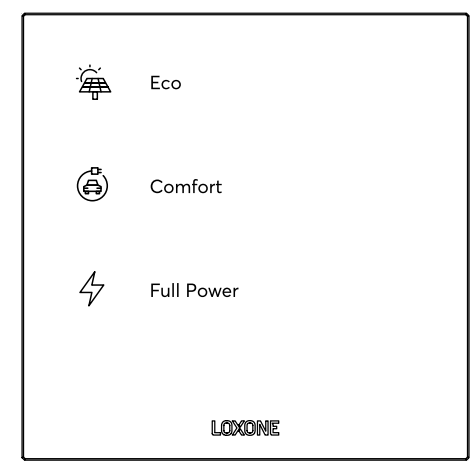
ELECTRICAL CONNECTION



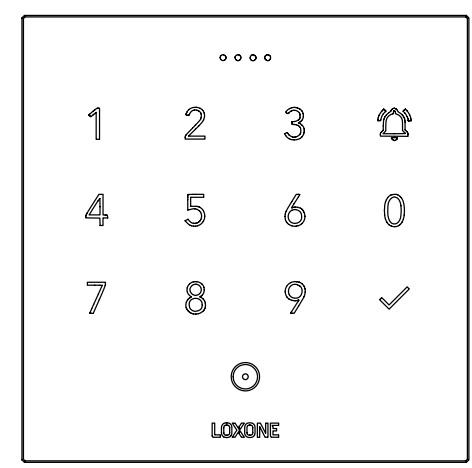
OPTIONAL



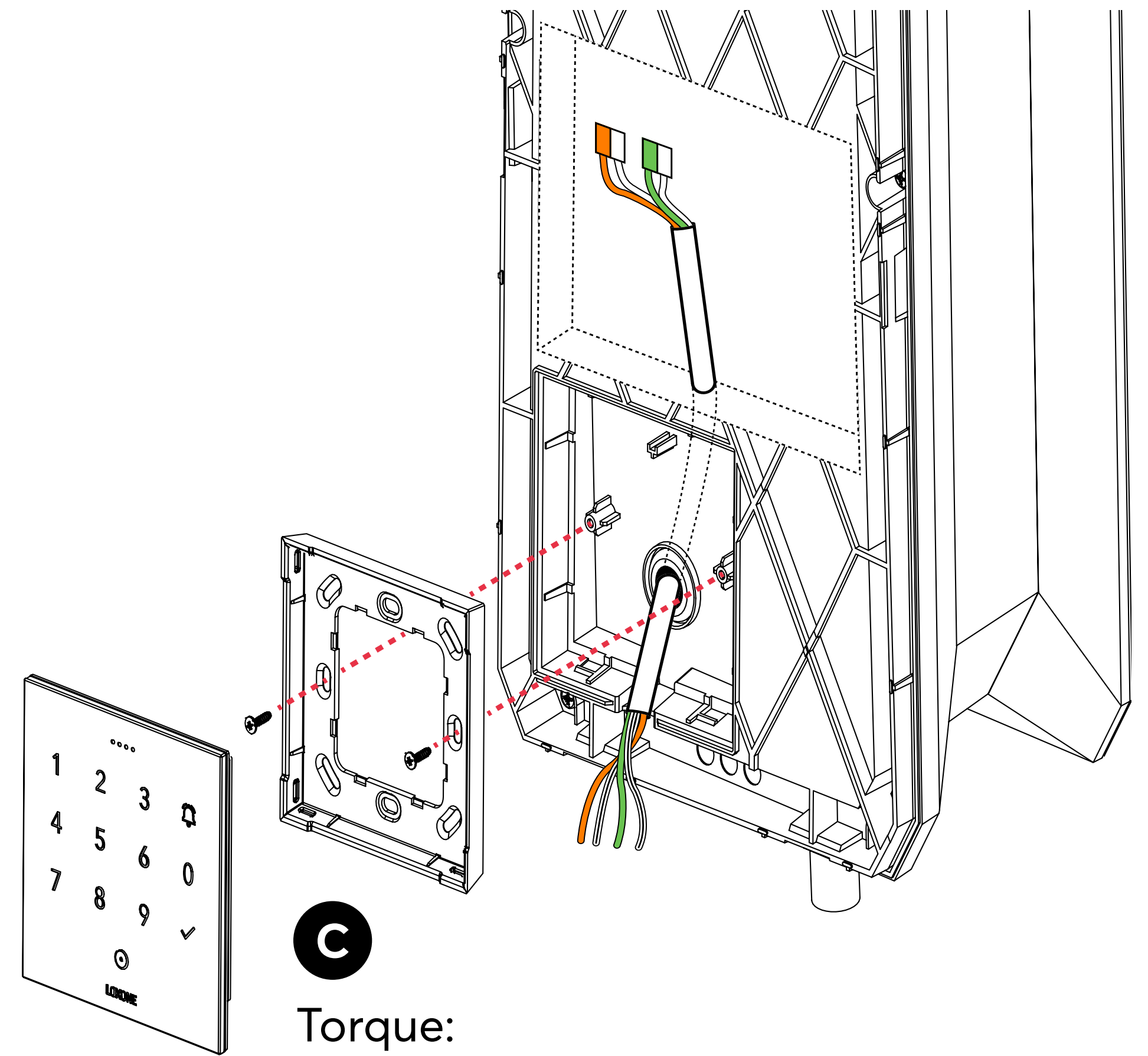
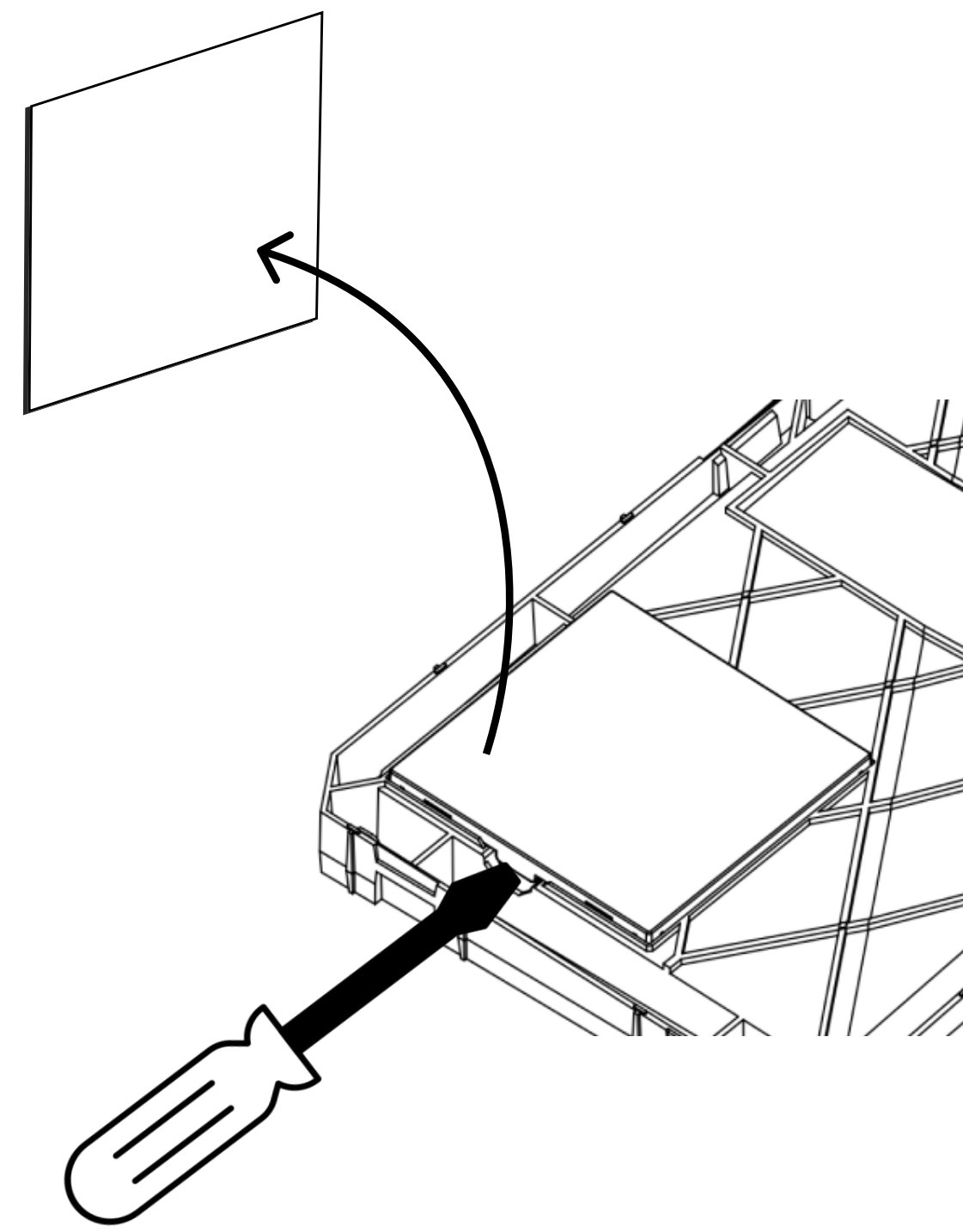
TOUCH
PURE



TOUCH
PURE FLEX



NFC CODE
TOUCH



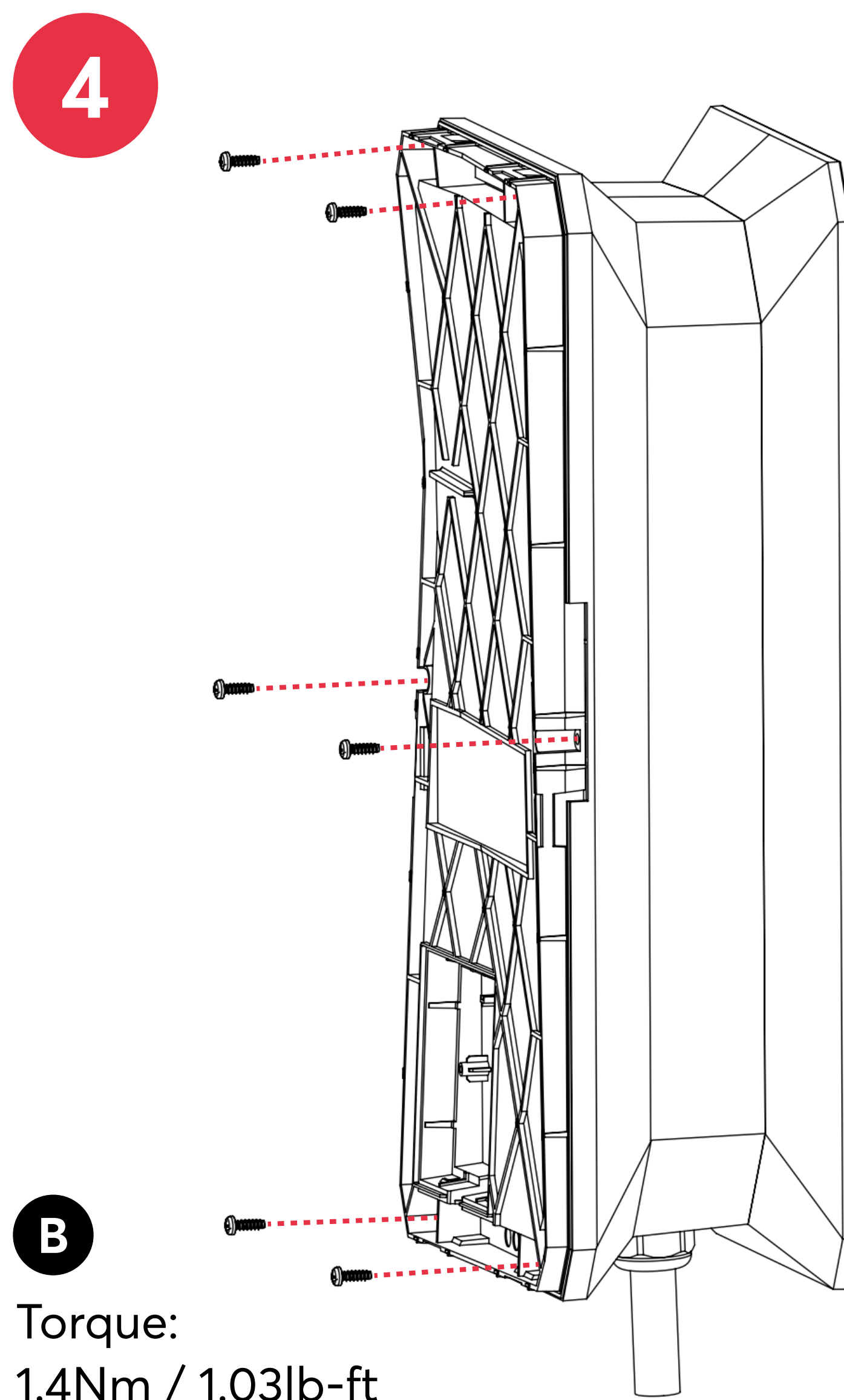
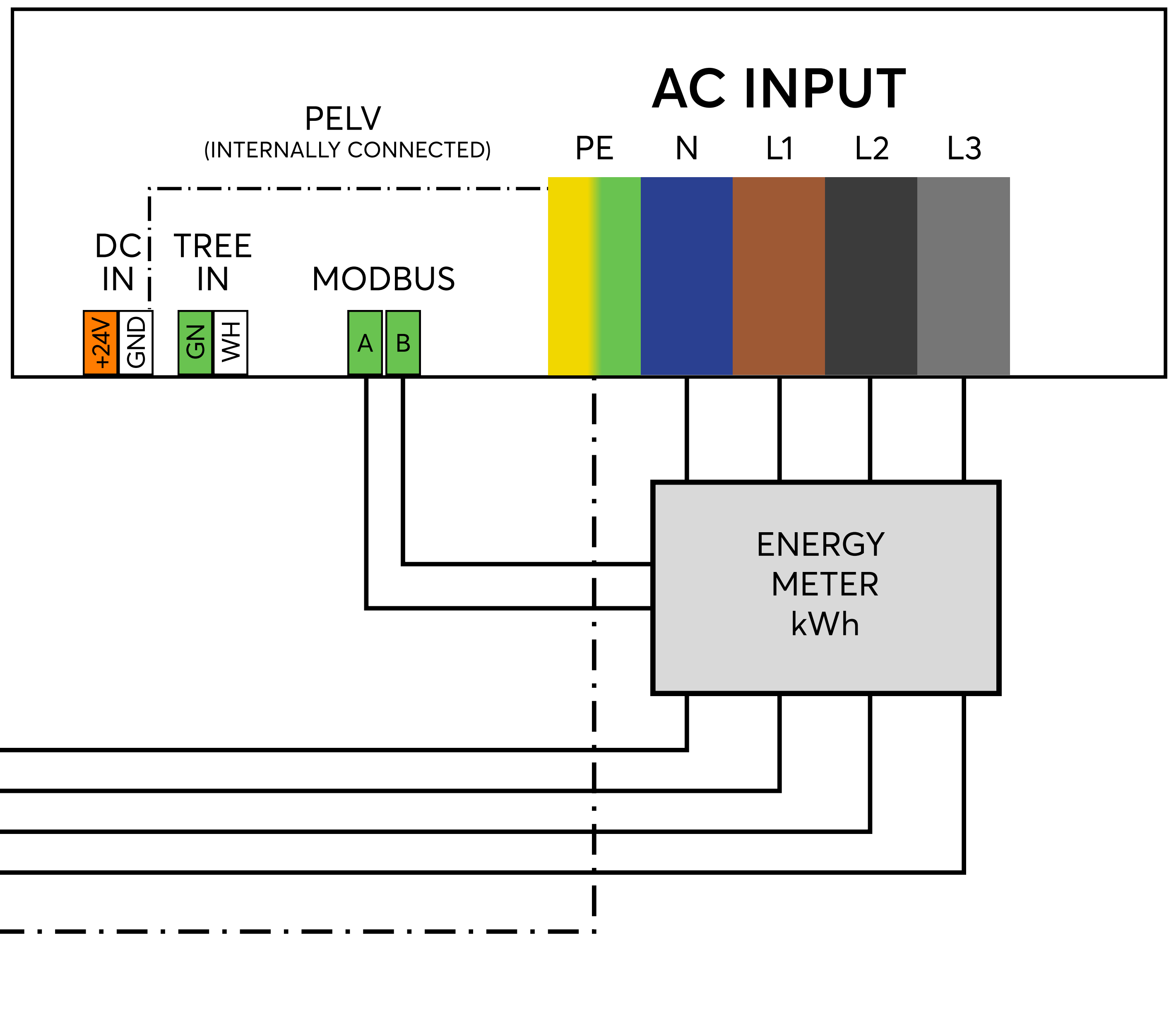
C

Torque:
0.8Nm / 0.59lb-ft

OPTIONAL

A LOXONE
ENERGY METER IS
RECOMMENDED!

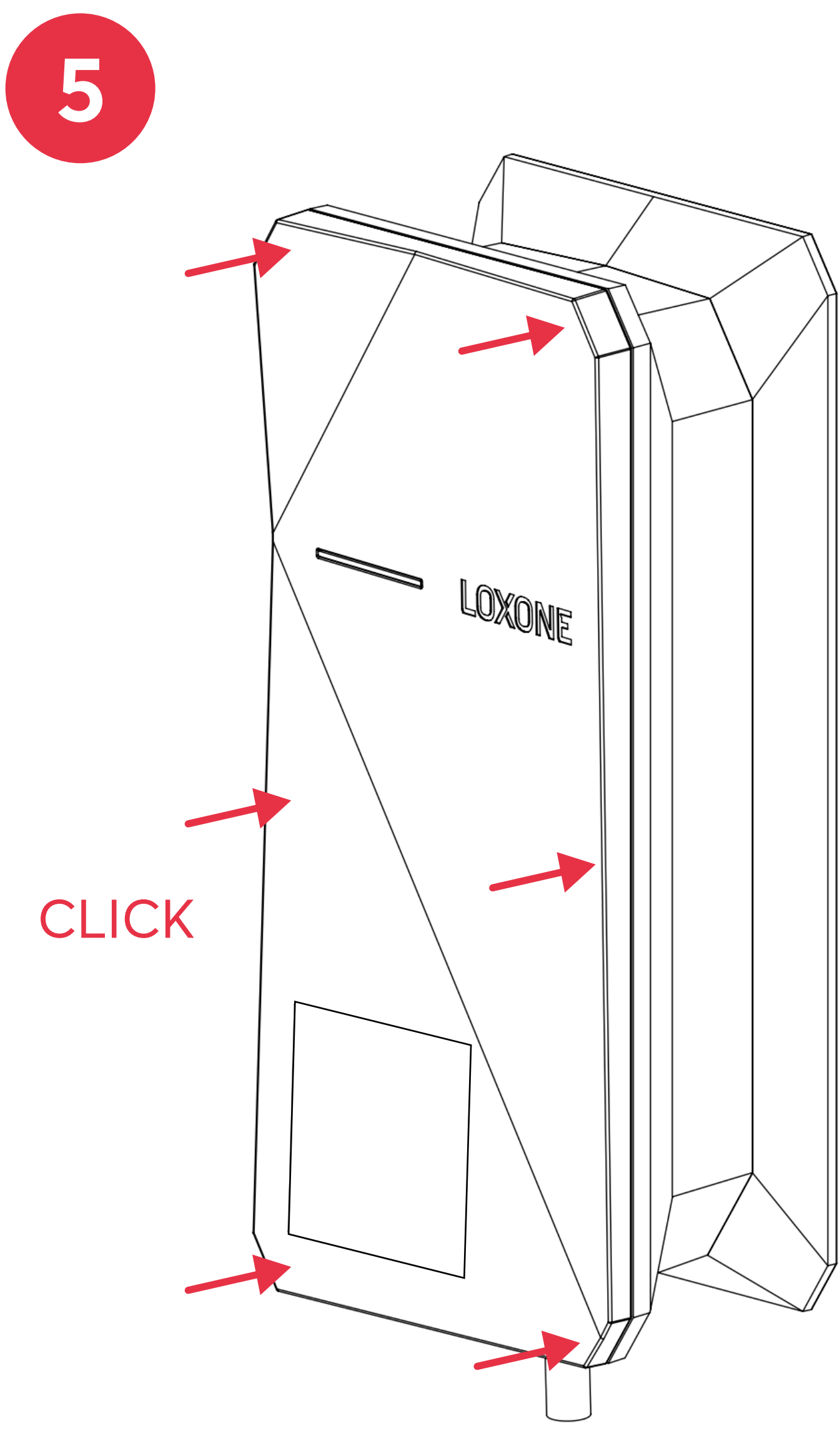
PART NO.: 200157



4

B

Torque:
1.4Nm / 1.03lb-ft



5

CLICK

i



FOR MORE INFORMATION
ABOUT THIS PRODUCT,
PLEASE VISIT
**LOXONE.COM/HELP/
WALLBOX-TREE**