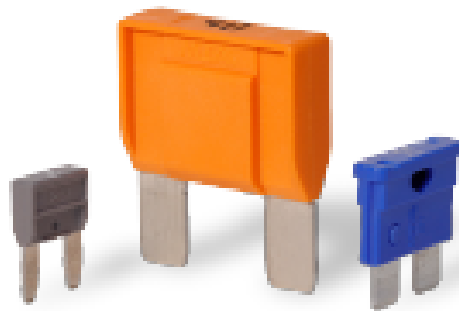


KFZ-SICHERUNGEN

AUTOMOTIVE FUSES



Sicherungshalter
für die hier gezeigten Sicherungen finden Sie jetzt in unserem
[Sicherungshalter-Katalog](#)

Fuse Holders
for the fuses displayed here can now be found in our
[fuse holder catalogue](#)

Bemessungswerte / Ratings

Flachstecksicherungssortiment / Automobile fuse assortment boxes

Produktabbildung / Product picture



Typ / Type:

Flachstecksicherungen / Automobile fuses

Größe / Size:

Type Mini

Spannung / Voltage:

DC 32 V

Inhalt / Content:

341.750 (80 St. / pcs.)

| | | | | | | | |
|----|---|-----|---|----|---|----|---|
| 10 | x | 2 | A | 10 | x | 10 | A |
| | | | | 10 | x | 15 | A |
| 10 | x | 4 | A | 10 | x | 20 | A |
| 6 | x | 5 | A | 4 | x | 25 | A |
| 10 | x | 7,5 | A | 10 | x | 30 | A |

Produktabbildung / Product picture



Typ / Type:

Flachstecksicherungen / Automobile fuses

Größe / Size:

Type Standard

Spannung / Voltage:

DC 32 V

Inhalt / Content:

340.750 (80 St. / pcs.)

| | | | | | | | |
|----|---|-----|---|----|---|----|---|
| 10 | x | 4 | A | 10 | x | 15 | A |
| 10 | x | 5 | A | 10 | x | 20 | A |
| 10 | x | 7,5 | A | 10 | x | 25 | A |
| 10 | x | 10 | A | 10 | x | 30 | A |

Type Mini



| | | | | | |
|----------------------------|-------------|-------------------------|-------------------|---|----------------|
| Spannung Voltage | 32 V | Strom Current | 2 A - 30 A | Ausschaltvermögen Breaking capacity | 1.000 A |
|----------------------------|-------------|-------------------------|-------------------|---|----------------|



Norm / Standard:

ISO 8820-3

Anwendung / Application:

Automobilindustrie, DC-Anwendungen /
Automotive industry, DC-applications

Aufbau / Construction:

Gehäuse / Body: Isolierender Kunststoff / Insulating Plastic (PA66)
Kontakte / Terminals: Zink, verzinkt / Zinc, tin plated

Betriebs-Umgebungstemperatur /
Operating-ambient temperature:

-40 °C bis / to +125 °C

Verpackungsmöglichkeiten / Packing options:

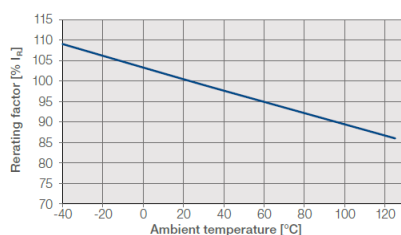
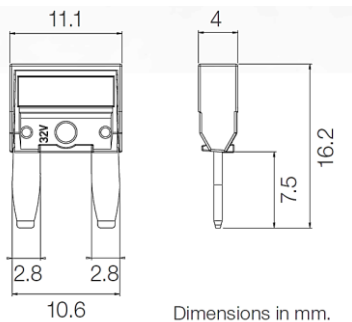
2.000 St. = Industrieverpackung /
2.000 pcs. = Industrial packaging

Bemessungswerte / Ratings:

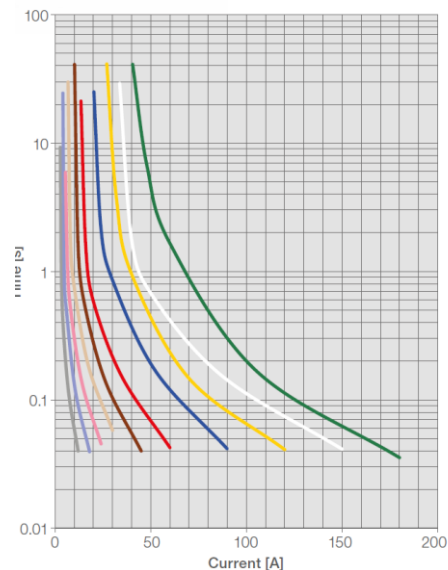
| Art. No. | I_N | U_N [V] | U_d [mV] | I_{BC} [A] | I^2t [A ² s] | Farcode / Color Code |
|----------|-------|--------------|---------------|-----------------|------------------------------|-------------------------|
| 341.120 | 2 A | 32 | 128 | 1.000 | 135 | Grau / Grey |
| 341.122 | 3 A | 32 | 155 | 1.000 | 115 | Violett / Violet |
| 341.123 | 4A | 32 | 121 | 1.000 | 156 | Rosa / Pink |
| 341.124 | 5 A | 32 | 112 | 1.000 | 217 | Hellbraun / Tan |
| 341.126 | 7,5 A | 32 | 110 | 1.000 | 256 | Braun / Brown |
| 341.127 | 10 A | 32 | 106 | 1.000 | 387 | Rot / Red |
| 341.129 | 15 A | 32 | 105 | 1.000 | 720 | Blau / Blue |
| 341.131 | 20 A | 32 | 97 | 1.000 | 980 | Gelb / Yellow |
| 341.132 | 25 A | 32 | 96 | 1.000 | 1.344 | Weiss / White |
| 341.133 | 30 A | 32 | 95 | 1.000 | 1.692 | Grün / Green |

I_N - t Verhalten / I_N - t characteristics:

| Bemessungsstrom-Faktor / Rated current factor | Schmelzzeit / Melting time: |
|--|--------------------------------|
| | 2 A |
| | - |
| | 30 A |
| $1,1 \cdot I_N$ | t_{min} 100 h |
| | t_{max} - |
| $1,35 \cdot I_N$ | t_{min} 750 ms |
| | t_{max} 10 min |
| $2 \cdot I_N$ | t_{min} 150 ms |
| | t_{max} 5 s |
| $3,5 \cdot I_N$ | t_{min} 40 ms |
| | t_{max} 500 ms |
| $6 \cdot I_N$ | t_{min} 20 ms |
| | t_{max} 100 ms |



Melting time graph at 23°C on test module ISO.



Type Mini



Spannung
Voltage **32 V**

Strom
Current **2 A - 30 A**

Ausschaltvermögen
Breaking capacity **1.000 A**

Anwendung / Application

Automobilindustrie, DC-Anwendungen /
Automotive industry, DC-applications

Aufbau / Construction:

Gehäuse / Body Isolierender Kunststoff / Insulating plastic
Kontakt / Contact Zinklegierung / Zinc alloy



Verpackungsmöglichkeiten / Packing options:

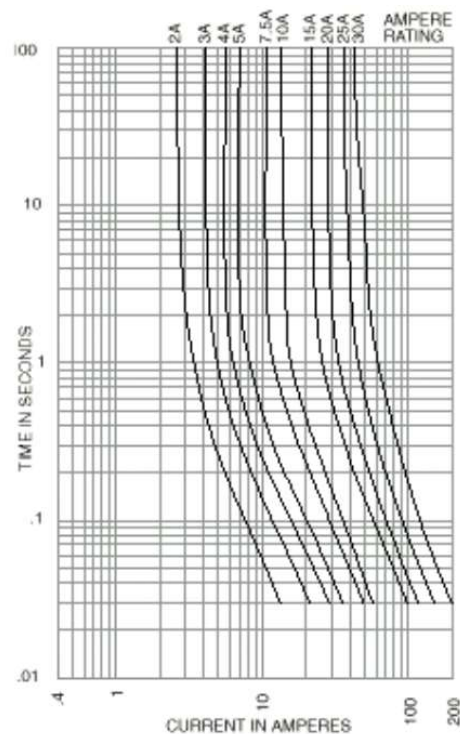
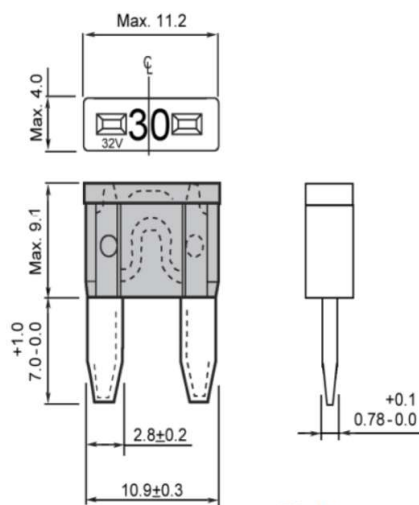
1.000 St. = Industrieverpackung /
1.000 pcs. = Industrial packaging

Bemessungswerte / Ratings:

| Art. No. | I_N | U_N [V] | R_c [mΩ] | I_{BC} [A] | Farbcode / Color Code |
|-----------|-------|-----------|------------|--------------|-----------------------|
| 341.122-H | 2 A | 32 | 56 | 1.000 | Grau / Gray |
| 341.123-H | 3 A | 32 | 34 | 1.000 | Violett / Violet |
| 341.124-H | 4 A | 32 | 24 | 1.000 | Rosa / Pink |
| 341.126-H | 5 A | 32 | 18 | 1.000 | Hellbraun / Tan |
| 341.127-H | 7,5 A | 32 | 11 | 1.000 | Braun / Brown |
| 341.129-H | 10 A | 32 | 7,3 | 1.000 | Rot / Red |
| 341.131-H | 15 A | 32 | 4,5 | 1.000 | Blau / Blue |
| 341.132-H | 20 A | 32 | 3,2 | 1.000 | Gelb / Yellow |
| 341.133-H | 25 A | 32 | 2,2 | 1.000 | Natur / Natural |
| 341.134-H | 30 A | 32 | 1,8 | 1.000 | Grün / Green |

$I_N - t$ Verhalten / $I_N - t$ characteristics:

| Bemessungsstrom-Faktor / Rated current factor | Schmelzzeit / Melting time: |
|---|---------------------------------|
| $1,1 \cdot I_N$ | t_{min} 100 h t_{max} - |
| $1,35 \cdot I_N$ | t_{min} - t_{max} 30 min |
| $2 \cdot I_N$ | t_{min} - t_{max} 5 s |



Type Mini



Spannung 58 V
Voltage

Strom 2 A - 30 A
Current

Ausschaltvermögen 1.000 A
Breaking capacity



Anwendung / *Application*

Hochspannungsanwendungen in der Automobilindustrie, USV bis 58 V / *High voltage automotive industry and UPS up to 58 V*

Aufbau / *Construction:*

Gehäuse / *Body* Isolierender Kunststoff / *Insulating plastic*
Kontakt / *Contact* Zinklegierung / *Zinc alloy*

Verpackungsmöglichkeiten / *Packing options:*

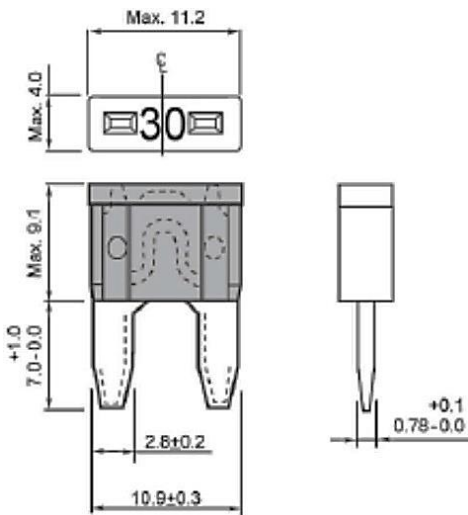
500 St. = Industrieverpackung / *500 pcs. = Industrial packaging*

Bemessungswerte / *Ratings:*

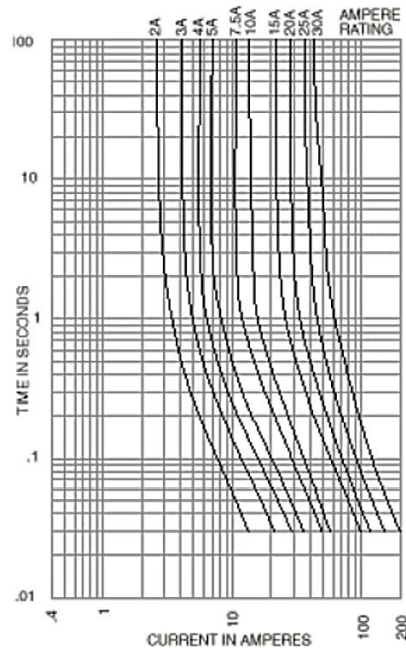
| Art. No. | I_N | U_N [V] | R_c [mΩ] | I_{BC} [A] | Farbcode / <i>Color Code</i> |
|-------------|-------|-----------|------------|--------------|------------------------------|
| 341.120-58V | 2 A | 58 | 56 | 1.000 | Grau / <i>Grey</i> |
| 341.122-58V | 3 A | 58 | 34 | 1.000 | Violett / <i>Violet</i> |
| 341.123-58V | 4 A | 58 | 24 | 1.000 | Rosa / <i>Pink</i> |
| 341.124-58V | 5 A | 58 | 18 | 1.000 | Hellbraun / <i>Tan</i> |
| 341.126-58V | 7,5 A | 58 | 11 | 1.000 | Braun / <i>Brown</i> |
| 341.127-58V | 10 A | 58 | 7,3 | 1.000 | Rot / <i>Red</i> |
| 341.129-58V | 15 A | 58 | 4,5 | 1.000 | Blau / <i>Blue</i> |
| 341.131-58V | 20 A | 58 | 3,2 | 1.000 | Gelb / <i>Yellow</i> |
| 341.132-58V | 25 A | 58 | 2,2 | 1.000 | Weiss / <i>White</i> |
| 341.133-58V | 30 A | 58 | 1,8 | 1.000 | Grün / <i>Green</i> |

I_N -t Verhalten / I_N -t characteristics:

| Bemessungsstrom-Faktor / <i>Rated current factor</i> | Schmelzzeit / <i>Melting time:</i> |
|--|------------------------------------|
| $1,1 \cdot I_N$ | t_{min} 100 h t_{max} - |
| $1,35 \cdot I_N$ | t_{min} 0 t_{max} 30 min |
| $2 \cdot I_N$ | t_{min} 0 t_{max} 5 s |



I-t Charakteristik / *Characteristics:*



Type Mega



| | | | | | |
|----------------------------|-------------|-------------------------|----------------------|---|----------------|
| Spannung Voltage | 70 V | Strom Current | 100 A – 500 A | Ausschaltvermögen Breaking capacity | 2.500 A |
|----------------------------|-------------|-------------------------|----------------------|---|----------------|



| | |
|---|--|
| Prüfnorm / Testing standards: | ISO 20934 (type SF51-70V) |
| Aufbau / Construction: Gehäuse / Body | GF6T/66-GF30 V0 (Thermoplastik / Thermoplastic) |
| Kontakt / Contact | Kupfer, verzinkt / Tin plated copper |
| Befestigungsschraube / Mounting screw: | M8 |
| Umgebungstemperatur / Ambient temperature: | -40 °C bis / to +125 °C |
| Verpackungsmöglichkeiten / Packing options: | 1.000 St. = Industrieverpackung / 1.000 pcs. = Industrial packaging |

Bemessungswerte / Ratings:

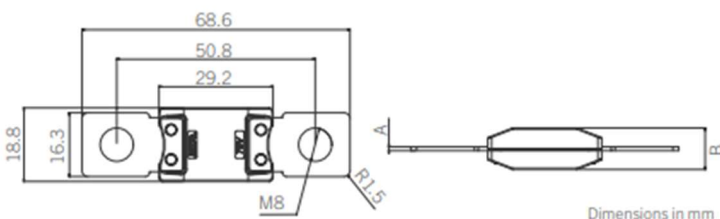
| Art. No. | I_N | U_N [V] | U_d [mV] | I_{BC} [A] | I^2t [A ² s] | Farbcode / Colour Code |
|-------------|-------|--------------|---------------|-----------------|------------------------------|---------------------------|
| 341.310-70V | 100 A | 70 | 108 | 2.500 | 87.500 | Gelb / Yellow |
| 341.312-70V | 125 A | 70 | 107 | 2.500 | 100.000 | Grün / Green |
| 341.315-70V | 150 A | 70 | 104 | 2.500 | 150.000 | Orange / Orange |
| 341.317-70V | 175 A | 70 | 103 | 2.500 | 287.500 | Weiß / White |
| 341.320-70V | 200 A | 70 | 98 | 2.500 | 400.000 | Blau / Blue |
| 341.322-70V | 225 A | 70 | 98 | 2.500 | 537.500 | Hellbraun / Light Brown |
| 341.325-70V | 250 A | 70 | 103 | 2.500 | 612.500 | Rosa / Pink |
| 341.326-70V | 300 A | 70 | 55 | 2.500 | 937.500 | Grau / Grey |
| 341.327-70V | 400 A | 70 | 65 | 2.500 | 1.025.000 | Violett / Violet |
| 341.328-70V | 500 A | 70 | 75 | 2.500 | 1.687.500 | Braun / Brown |

**$I_N - t$ Verhalten / $I_N - t$
characteristics:**

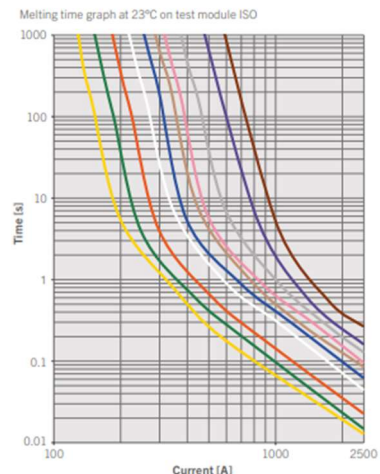
| Bemessungsstrom-Faktor / Rated current factor | Schmelzzeit / Melting time: | |
|--|--------------------------------|---------------------|
| | 100 A - 250 A | 300 A - 500 A |
| $0,75 \cdot I_N$ | t_{min} | 4 h |
| | t_{max} | - |
| $1,0 \cdot I_N$ | t_{min} | 4 h |
| | t_{max} | - |
| $1,35 \cdot I_N$ | t_{min} | 2 min |
| | t_{max} | 30 min |
| $2 \cdot I_N$ | t_{min} | 1 s |
| | t_{max} | 15 s |
| $3,5 \cdot I_N$ | t_{min} | 300 ms |
| | t_{max} | 5 s |
| $6 \cdot I_N$ | t_{min} | 100 ms |
| | t_{max} | 1 s |

Maße / Dimensions:

| Größe / Size | A [mm] | B [mm] |
|--------------|--------|--------|
| 100 – 175 A | 0,8 | 10,4 |
| 200 – 300 A | 1,0 | 10,6 |
| 400 – 500 A | 1,8 | 10,6 |



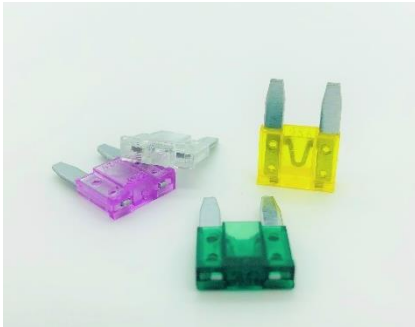
$I_N - t$ Kennlinie / $I_N - t$ graph:



Type Mini



| | | | | | |
|----------------------------|-------------|-------------------------|-------------------|---|----------------|
| Spannung Voltage | 32 V | Strom Current | 2 A - 30 A | Ausschaltvermögen Breaking capacity | 1.000 A |
|----------------------------|-------------|-------------------------|-------------------|---|----------------|



Anwendungen / Applications:

Kfz-Bereich & Elektroindustrie /
Automobile area & electrical industry

Aufbau / Construction:

Anschlüsse: Zink-Legierung
Termination: zinc-alloy
Gehäuse (transparent): Polycarbonat (PC) /
Housing (transparent): Polycarbonate (PC)

Norm gemäß /
Standard according to:

SAE J-2077

Verpackungsmöglichkeiten /
Packing options:

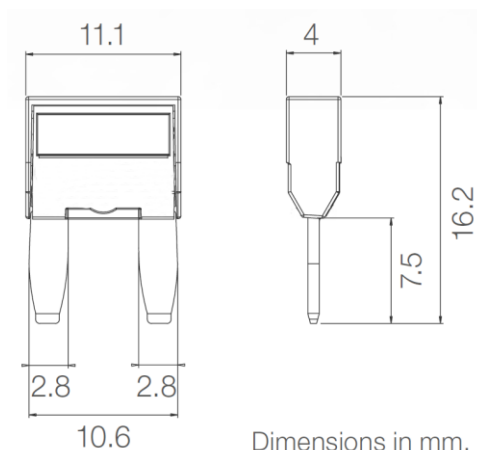
1.000 St. = Industrieverpackung (lose
geschüttet) /
1.000 pcs. = Industrial box (bulk)

Bemessungswerte / Ratings:

| Art. No. | I_N [A] | U_N [V] | R_c [mΩ] | I_{BC} [A] | Farbcode / Colour Code |
|----------|--------------|--------------|---------------|-----------------|---------------------------|
| 341.620 | 2 | 32 | | 1.000 | Grau / Gray |
| 341.622 | 3 | 32 | | 1.000 | Violett / Violet |
| 341.623 | 4 | 32 | Auf | 1.000 | Rosa / Pink |
| 341.624 | 5 | 32 | Anfrage | 1.000 | Hellbraun / Tan |
| 341.626 | 7,5 | 32 | / | 1.000 | Braun / Brown |
| 341.627 | 10 | 32 | On | 1.000 | Rot / Red |
| 341.629 | 15 | 32 | Request | 1.000 | Blau / Blue |
| 341.631 | 20 | 32 | | 1.000 | Gelb / Yellow |
| 341.632 | 25 | 32 | | 1.000 | Natur / Natural |
| 341.633 | 30 | 32 | | 1.000 | Grün / Green |

I_N -t Verhalten / I_N -t characteristics:

| Bemessungs- strom-Faktor / Rated current factor | Schmelzzeit / Melting time: |
|---|-------------------------------------|
| | 2 A - 30 A |
| $1,1 \cdot I_N$ | t_{min} 100 h t_{max} - |
| $1,35 \cdot I_N$ | t_{min} 500 ms t_{max} 5 min |
| $2 \cdot I_N$ | t_{min} 150 ms t_{max} 20 s |
| $3,5 \cdot I_N$ | t_{min} 40 ms t_{max} 500 ms |



Dimensions in mm.

Type Mini lötfar / solderable



| | | | | | |
|----------------------------|-------------|-------------------------|-------------------|---|----------------|
| Spannung Voltage | 32 V | Strom Current | 2 A - 30 A | Ausschaltvermögen Breaking capacity | 1.000 A |
|----------------------------|-------------|-------------------------|-------------------|---|----------------|



Anwendungen / Applications:

Kfz-Bereich & Elektroindustrie, direkt auf Platine lötfar (THT) /
Automotive & electrical industry, designed for through-hole mounting

Aufbau / Construction:

Anschlüsse: Zink-Legierung, verzinkt
Termination: zinc-alloy, tin plated
Gehäuse (transparent): Thermoplast (UL 94-V2) /
Housing (transparent): Thermo plastic (UL 94-V2)

Norm gemäß /
Standard according to:

ISO 8820-3, SAE J-1284

Verpackungsmöglichkeiten /
Packing options:

1.000 St. = Industrieverpackung (lose geschüttet) /
1.000 pcs. = Industrial packaging (bulk)

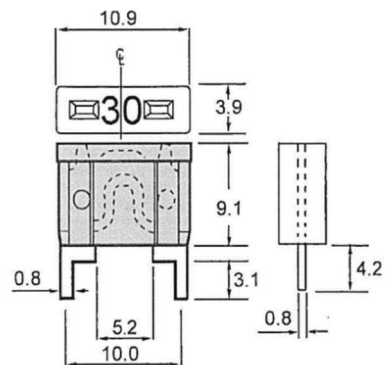
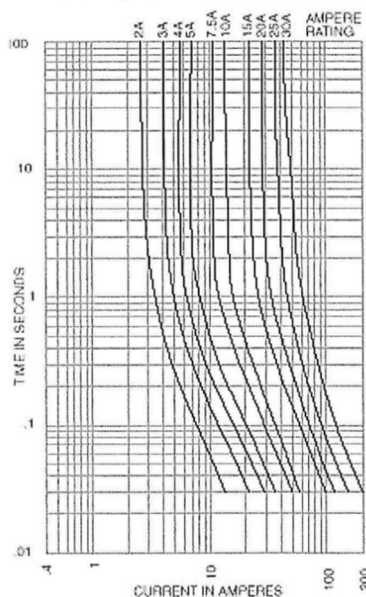
Bemessungswerte / Ratings:

| Art. No. | I_N [A] | U_N [V] | R_c [mΩ] | I_{BC} [A] | Farbcode / Colour Code |
|-------------|--------------|--------------|---------------|-----------------|---------------------------|
| 341.620-THT | 2 | 32 | | 1.000 | Grau / Gray |
| 341.622-THT | 3 | 32 | | 1.000 | Violett / Violet |
| 341.623-THT | 4 | 32 | Auf | 1.000 | Rosa / Pink |
| 341.624-THT | 5 | 32 | Anfrage | 1.000 | Hellbraun / Tan |
| 341.626-THT | 7,5 | 32 | / | 1.000 | Braun / Brown |
| 341.627-THT | 10 | 32 | On | 1.000 | Röt / Red |
| 341.629-THT | 15 | 32 | Request | 1.000 | Blau / Blue |
| 341.631-THT | 20 | 32 | | 1.000 | Gelb / Yellow |
| 341.632-THT | 25 | 32 | | 1.000 | Natur / Natural |
| 341.633-THT | 30 | 32 | | 1.000 | Grün / Green |

I_N -t Verhalten / I_N -t characteristics:

| Bemessungsstrom-Faktor / Rated current factor | Schmelzeit / Melting time: |
|--|-------------------------------|
| | 2 A |
| | - |
| | 30 A |
| $1,1 \cdot I_N$ | t_{min} 100 h |
| | t_{max} - |
| $1,35 \cdot I_N$ | t_{min} 750 ms |
| | t_{max} 30 min |
| $2 \cdot I_N$ | t_{min} 150 ms |
| | t_{max} 5 s |
| $3,5 \cdot I_N$ | t_{min} 40 ms |
| | t_{max} 500 ms |

Average Time Current Curves



Tolerance : ±0.2mm

Type Low Profile Mini



| | | | | | |
|----------------------------|-------------|-------------------------|-------------------|---|----------------|
| Spannung Voltage | 58 V | Strom Current | 2 A - 30 A | Ausschaltvermögen Breaking capacity | 1.000 A |
|----------------------------|-------------|-------------------------|-------------------|---|----------------|

Norm / Standards:

ISO 8820-9

Anwendung / Application

Hochspannungsanwendungen in der Automobilindustrie, USV bis 58 V / High voltage automotive industry and UPS up to 58 V



Aufbau / Construction:

Gehäuse / Body Isolierender Kunststoff / Insulating plastic
Kontakt / Contact Zinklegierung / Zinc alloy

Verpackungsmöglichkeiten / Packing options:

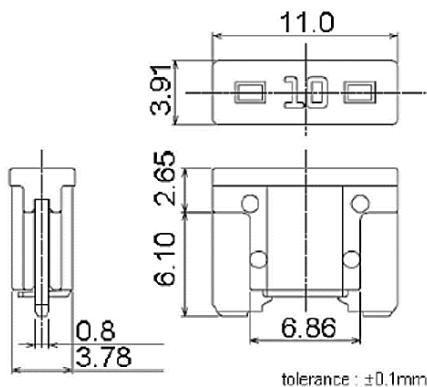
500 St. = Industrieverpackung / 500 pcs. = Industrial packaging

Bemessungswerte / Ratings:

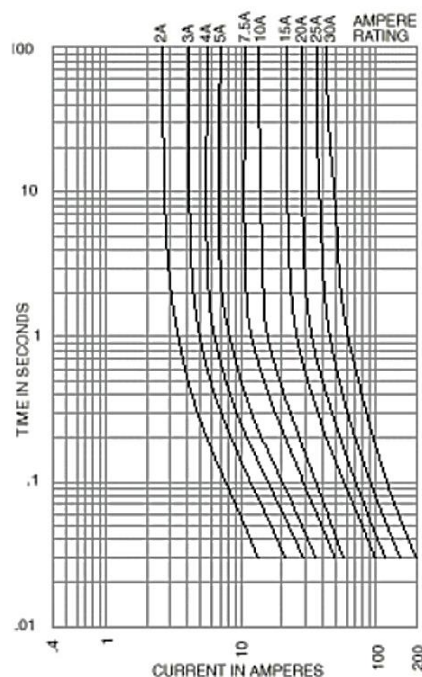
| Art. No. | I_N | U_N [V] | R_C [mΩ] | I_{BC} [A] | Farbcode / Color Code |
|-------------|-------|-----------|------------|--------------|-----------------------|
| 341.720-58V | 2 A | 58 | 56 | 1.000 | Grau / Grey |
| 341.722-58V | 3 A | 58 | 31 | 1.000 | Violett / Violet |
| 341.723-58V | 4 A | 58 | 23 | 1.000 | Rosa / Pink |
| 341.724-58V | 5 A | 58 | 18 | 1.000 | Hellbraun / Tan |
| 341.726-58V | 7,5 A | 58 | 11 | 1.000 | Braun / Brown |
| 341.727-58V | 10 A | 58 | 7,7 | 1.000 | Rot / Red |
| 341.729-58V | 15 A | 58 | 4,8 | 1.000 | Blau / Blue |
| 341.731-58V | 20 A | 58 | 3,3 | 1.000 | Gelb / Yellow |
| 341.732-58V | 25 A | 58 | 2,5 | 1.000 | Weiss / White |
| 341.733-58V | 30 A | 58 | 1,9 | 1.000 | Grün / Green |

$I_N - t$ Verhalten / $I_N - t$ characteristics:

| Bemessungsstrom-Faktor / Rated current factor | Schmelzzeit / Melting time: |
|---|---------------------------------|
| $1,1 \cdot I_N$ | t_{min} 100 h t_{max} - |
| $1,35 \cdot I_N$ | t_{min} 0 t_{max} 30 min |
| $2 \cdot I_N$ | t_{min} 0 t_{max} 5 s |



I-t Charakteristik / Characteristics:



Type Low Profile Super Mini (LED)



| | | | | | |
|----------------------------|-------------|-------------------------|-------------------|--|----------------|
| Spannung Voltage | 32 V | Strom Current | 3 A - 30 A | Ausschaltvermögen Breaking capacity: | 1.000 A |
|----------------------------|-------------|-------------------------|-------------------|--|----------------|

Norm / Standards:

ISO 8820-9

Anwendung / Application:

Anwendungen in der Automobilindustrie /
Applications in automotive industry



Aufbau / Construction:

Gehäuse / Body: Isolierender Kunststoff / Insulating plastic

Kontakt / Contact:

Zinklegierung / Zinc alloy

Verpackungsmöglichkeiten / Packing options:

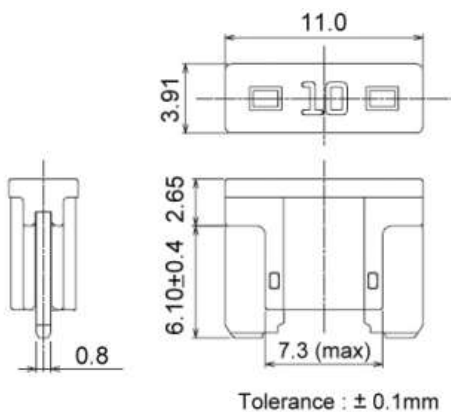
2.000 St. im Polybeutel / 2.000 pcs. in polybag

Bemessungswerte / Ratings:

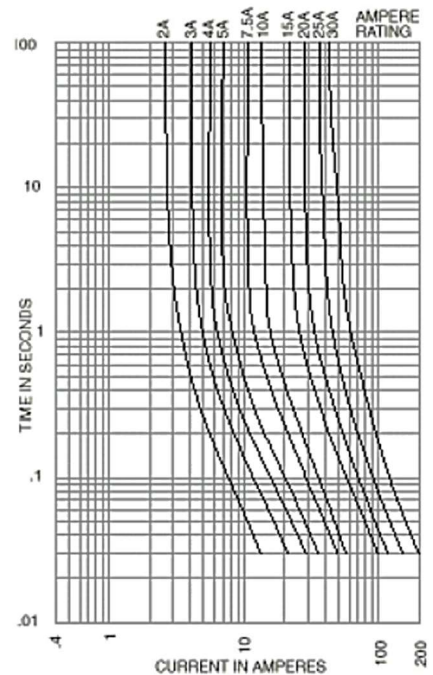
| Art. No. | I_N | U_N [V] | R_c [mΩ] | Farbcode / Color Code |
|-------------|-------|--------------|---------------|--------------------------|
| 341.722-LED | 3 A | 32 | 56 | Grau / Grey |
| 341.723-LED | 4 A | 32 | 34 | Violett / Violet |
| 341.724-LED | 5 A | 32 | 24 | Rosa / Pink |
| 341.726-LED | 7,5 A | 32 | 18 | Hellbraun / Tan |
| 341.727-LED | 10 A | 32 | 11 | Braun / Brown |
| 341.729-LED | 15 A | 32 | 7,3 | Rot / Red |
| 341.731-LED | 20 A | 32 | 4,5 | Blau / Blue |
| 341.732-LED | 25 A | 32 | 3,2 | Gelb / Yellow |
| 341.733-LED | 30 A | 32 | 2,2 | Weiss / White |

I_N - t Verhalten / I_N - t characteristics:

| Bemessungsstrom-Faktor / Rated current factor | Schmelzzeit / Melting time: |
|--|--------------------------------|
| | 3 A |
| | - |
| | 30 A |
| $1,1 \cdot I_N$ | t_{min} 100 h |
| | t_{max} - |
| $1,35 \cdot I_N$ | t_{min} 0 |
| | t_{max} 30 min |
| $2 \cdot I_N$ | t_{min} 0 |
| | t_{max} 5 s |



I-t Charakteristik / Characteristics



Type Mini (LED)



| | | | | | |
|----------------------------|-------------|-------------------------|-------------------|--|----------------|
| Spannung Voltage | 32 V | Strom Current | 2 A - 30 A | Ausschaltvermögen Breaking capacity: | 1.000 A |
|----------------------------|-------------|-------------------------|-------------------|--|----------------|



Norm / Standards:

SAE J2077, ISO 8820-3

Anwendung / Application:

Anwendungen in der Automobilindustrie /
Applications in automotive industry

Aufbau / Construction:

Gehäuse / Body: Isolierender Kunststoff / Insulating plastic

Kontakt / Contact:

Zinklegierung / Zinc alloy

Verpackungsmöglichkeiten / Packing options:

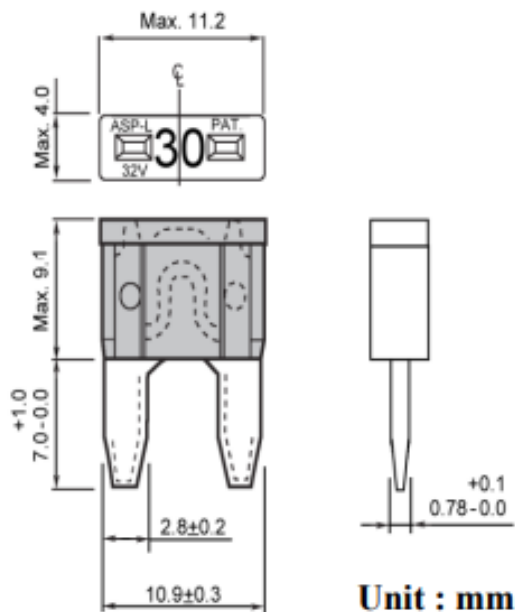
2.000 St. im Polybeutel / 2.000 pcs. in polybag

Bemessungswerte / Ratings:

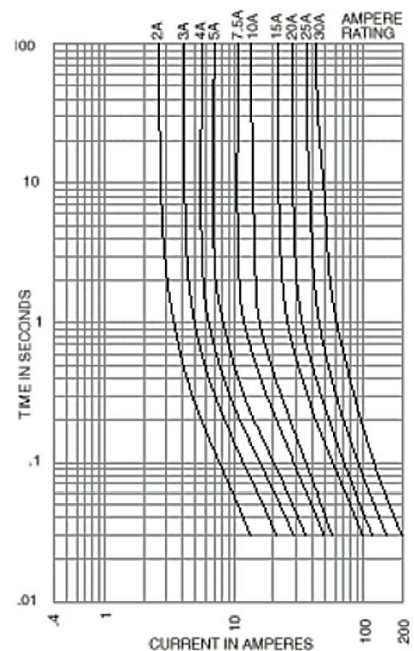
| Art. No. | I_N | U_N [V] | R_c [mΩ] | Farbcode / Color Code |
|----------|-------|-----------|------------|-----------------------|
| 341.820 | 2 A | 32 | 50 | Grau / Grey |
| 341.822 | 3 A | 32 | 29 | Violett / Violet |
| 341.823 | 4 A | 32 | 20 | Rosa / Pink |
| 341.824 | 5 A | 32 | 16 | Hellbraun / Tan |
| 341.826 | 7,5 A | 32 | 10 | Braun / Brown |
| 341.827 | 10 A | 32 | 7,1 | Rot / Red |
| 341.829 | 15 A | 32 | 4,3 | Blau / Blue |
| 341.831 | 20 A | 32 | 3,1 | Gelb / Yellow |
| 341.832 | 25 A | 32 | 2,2 | Weiss / White |
| 341.833 | 30 A | 32 | 1,8 | Grün / Green |

$I_N - t$ Verhalten / $I_N - t$ characteristics:

| Bemessungsstrom-Faktor / Rated current factor | Schmelzzeit / Melting time: |
|---|-----------------------------|
| | 2 A |
| | - |
| | 30 A |
| $1,1 \cdot I_N$ | t_{min} 100 h |
| | t_{max} - |
| $1,35 \cdot I_N$ | t_{min} 0 |
| | t_{max} 30 min |
| $2 \cdot I_N$ | t_{min} 0 |
| | t_{max} 5 s |



I-t Charakteristik / Characteristics



Type Super Mini (LED)



| | | | | | |
|----------------------------|-------------|-------------------------|-------------------|--|----------------|
| Spannung Voltage | 32 V | Strom Current | 3 A - 30 A | Ausschaltvermögen Breaking capacity: | 1.000 A |
|----------------------------|-------------|-------------------------|-------------------|--|----------------|



Anwendung / Application:

Anwendungen in der Automobilindustrie / Applications in automotive industry

Aufbau / Construction:

Gehäuse / Body: Isolierender Kunststoff / Insulating plastic
Kontakt / Contact: Zinklegierung / Zinc alloy

Verpackungsmöglichkeiten / Packing options: 1.000 St. im Polybeutel / 1.000 pcs. in polybag

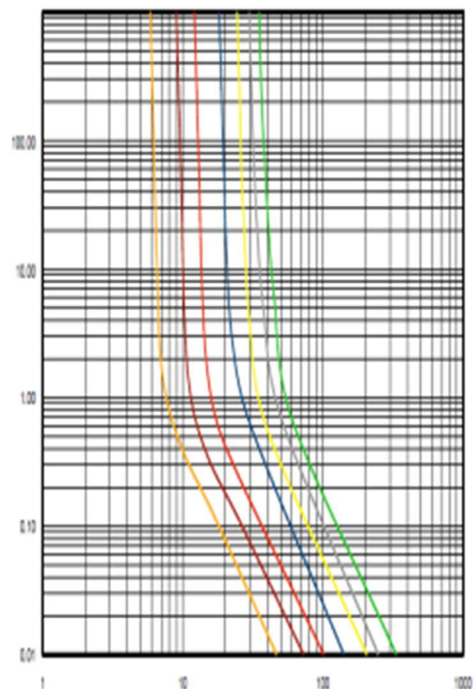
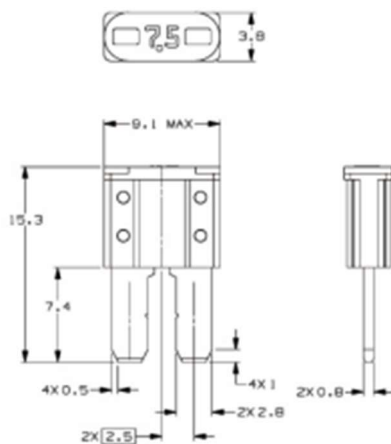
Bemessungswerte / Ratings:

| Art. No. | I_N | U_N [V] | R_c [mΩ] | Farbcode / Color Code |
|----------|-------|-----------|------------|-----------------------|
| 341.922 | 3 A | 32 | 31 | Violett / Violet |
| 341.923 | 4 A | 32 | 23 | Rosa / Pink |
| 341.924 | 5 A | 32 | 17 | Hellbraun / Tan |
| 341.926 | 7,5 A | 32 | 10 | Braun / Brown |
| 341.927 | 10 A | 32 | 7,7 | Rot / Red |
| 341.929 | 15 A | 32 | 4,9 | Blau / Blue |
| 341.931 | 20 A | 32 | 3,5 | Gelb / Yellow |
| 341.932 | 25 A | 32 | 2,6 | Weiß / White |
| 341.933 | 30 A | 32 | 2,1 | Grün / Green |

$I_N - t$ Verhalten / $I_N - t$ characteristics:

| Bemessungsstrom-Faktor / Rated current factor | Schmelzzeit / Melting time: |
|---|-------------------------------------|
| $1,1 \cdot I_N$ | t_{min} 100 h t_{max} - |
| $1,35 \cdot I_N$ | t_{min} 750 ms t_{max} 2 min |
| $2 \cdot I_N$ | t_{min} 150 ms t_{max} 5 s |

I-t Charakteristik / Characteristics:



Type Mini



Spannung 14 V
Voltage

Strom 5 A - 30 A
Current

Ausschaltvermögen 100 A - 300 A
Breaking capacity



Prüfnorm / *Testing standards:*

SAE J553 Type III

Spezifikation / *Specification:*

Manuelle Rückstellung (Typ III) /
Manual reset (Type III)

Einpoliger thermischer Schutzschalter /
Single pole temperature circuit breaker

Temperaturbereich / *Operating temperature:*

-40°C (-40°F) bis / to 85°C (185°F)

Lagerung / *storage:*

-40°C (-40°F) bis / to 125°C (260°F)

Verpackungsmöglichkeiten / *Packing options:*

100 St. im Polybeutel / *100 pcs. in polybag*

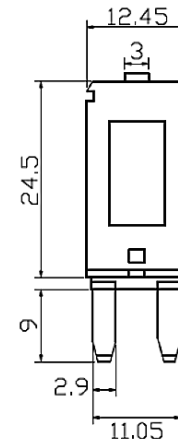
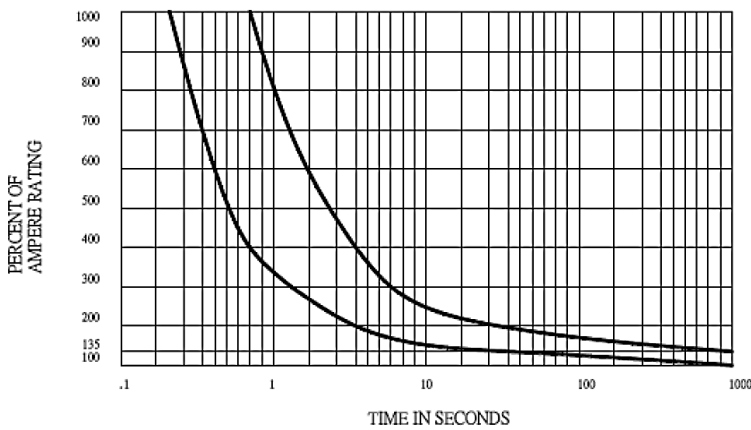
Bemessungswerte / Ratings:

| Art. No. | I _N | U [V] | I _{BC} [A] | Farbe / Colour |
|------------------------|----------------|-------|---------------------|-----------------|
| 341.124 – Manual Reset | 5 A | 14 | 100 | Hellbraun / Tan |
| 341.126 – Manual Reset | 7,5 A | 14 | 100 | Braun / Brown |
| 341.127 – Manual Reset | 10 A | 14 | 100 | Rot / Red |
| 341.129 – Manual Reset | 15 A | 14 | 150 | Blau / Blue |
| 341.131 – Manual Reset | 20 A | 14 | 200 | Gelb / Yellow |
| 341.132 – Manual Reset | 25 A | 14 | 300 | Weiß / White |
| 341.133 – Manual Reset | 30 A | 14 | 300 | Grün / Green |

I_N - t Verhalten / I_N - t characteristics:

| Bemessungsstrom-Faktor / <i>Rated current factor</i> | Schmelzzeit / <i>Melting time:</i> |
|--|--|
| 1,1 · I _N | t _{min} Auf t _{max} Anfrage |
| 1,35 · I _N | t _{min} / t _{max} On |
| 2 · I _N | t _{min} Request t _{max} |

TRIP TIME VS. PERCENT OF RATED CURRENT



TYPE III

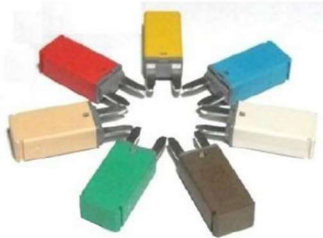
Type Mini



Spannung 14 V
Voltage

Strom 5 A - 30 A
Current

Ausschaltvermögen 100 A - 300 A
Breaking capacity



Prüfnorm / *Testing standards:*

SAE J553 Type III

Spezifikation / *Specification:*

Automatische Rückstellung (Typ I) /
Automatic reset (Type I)

Einpoliger thermischer Schutzschalter /
Single pole temperature circuit breaker

Temperaturbereich / *Operating temperature:*

-40°C (-40°F) bis / to 85°C (185°F)

Lagerung / *storage:*

-40°C (-40°F) bis / to 125°C (260°F)

Verpackungsmöglichkeiten / *Packing options:*

100 St. im Polybeutel / *100 pcs. in polybag*

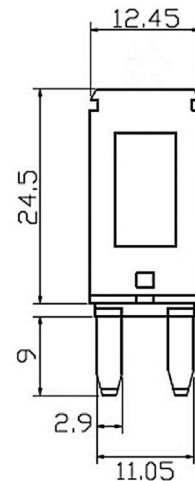
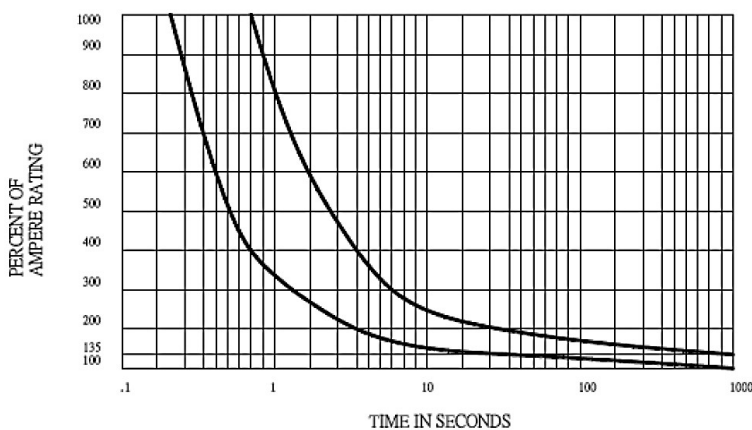
Bemessungswerte / Ratings:

| Art. No. | I _N | U [V] | I _{BC} [A] | Farbe / Colour |
|----------------------|----------------|-------|---------------------|-----------------|
| 341.124 – Auto Reset | 5 A | 14 | 100 | Hellbraun / Tan |
| 341.126 – Auto Reset | 7,5 A | 14 | 100 | Braun / Brown |
| 341.127 – Auto Reset | 10 A | 14 | 100 | Rot / Red |
| 341.129 – Auto Reset | 15 A | 14 | 150 | Blau / Blue |
| 341.131 – Auto Reset | 20 A | 14 | 200 | Gelb / Yellow |
| 341.132 – Auto Reset | 25 A | 14 | 300 | Weiß / White |
| 341.133 – Auto Reset | 30 A | 14 | 300 | Grün / Green |

I_N - t Verhalten / I_N - t characteristics:

| Bemessungsstrom-Faktor / <i>Rated current factor</i> | Schmelzzeit / <i>Melting time:</i> |
|--|------------------------------------|
| | 5 A |
| | – |
| | 30 A |
| 1,1 · I _N | t _{min} Auf |
| | t _{max} Anfrage |
| 1,35 · I _N | t _{min} / |
| | t _{max} On |
| 2 · I _N | t _{min} Request |
| | t _{max} |

TRIP TIME VS. PERCENT OF RATED CURRENT



Type Standard



| | | | | | |
|----------------------------|-------------|-------------------------|-------------------|---|----------------|
| Spannung Voltage | 32 V | Strom Current | 1 A - 40 A | Ausschaltvermögen Breaking capacity | 1.000 A |
|----------------------------|-------------|-------------------------|-------------------|---|----------------|



Norm / Standard:

ISO 8820-3

Anwendung / Application

Automobilindustrie, DC-Anwendungen /
Automotive industry, DC-applications

Aufbau / Construction:

Gehäuse / Body: Isolierender Kunststoff / Insulating Plastic (PBT)
Kontakte / Terminals: Zink, verzinkt / Zinc, tin plated

Betriebs-Umgebungstemperatur /
Operating-ambient temperature:

-40 °C bis / to +125 °C

Verpackungsmöglichkeiten / Packing options:

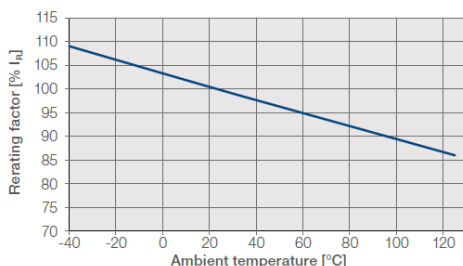
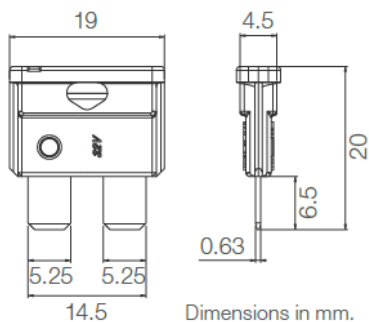
2.000 St. = Industrieverpackung /
2.000 pcs. = Industrial packaging

Bemessungswerte / Ratings:

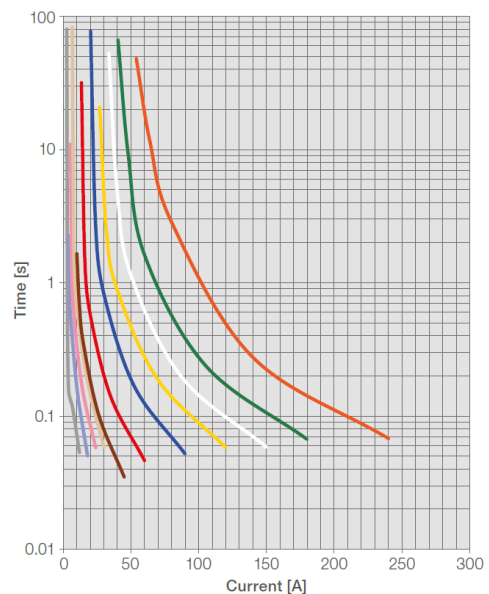
| Art. No. | I_N | U_N [V] | U_d [mV] | I_{BC} [A] | I^2t [A ² s] | Farcode / Colour Code |
|----------|-------|-----------|------------|--------------|---------------------------|-----------------------|
| 340.017 | 1 A | 32 | < 250 | 1.000 | / | Schwarz / Black |
| 340.020 | 2 A | 32 | 142 | 1.000 | 157 | Grau / Grey |
| 340.022 | 3 A | 32 | 135 | 1.000 | 200 | Violett / Violet |
| 340.023 | 4 A | 32 | 126 | 1.000 | 205 | Rosa / Pink |
| 340.024 | 5 A | 32 | 119 | 1.000 | 218 | Hellbraun / Tan |
| 340.026 | 7,5 A | 32 | 139 | 1.000 | 304 | Braun / Brown |
| 340.027 | 10 A | 32 | 112 | 1.000 | 320 | Rot / Red |
| 340.029 | 15 A | 32 | 104 | 1.000 | 480 | Blau / Blue |
| 340.031 | 20 A | 32 | 117 | 1.000 | 720 | Gelb / Yellow |
| 340.032 | 25 A | 32 | 104 | 1.000 | 1.155 | Weiss / White |
| 340.033 | 30 A | 32 | 103 | 1.000 | 1.843 | Grün / Green |
| 340.035 | 40 A | 32 | 101 | 1.000 | 2.880 | Orange / Orange |

$I_N - t$ Verhalten / $I_N - t$ characteristics:

| Bemessungsstrom-Faktor / Rated current factor | Schmelzzeit / Melting time: |
|---|-----------------------------|
| | 1 A |
| | - |
| | 40 A |
| $1,1 \cdot I_N$ | t_{min} 100 h |
| | t_{max} - |
| $1,35 \cdot I_N$ | t_{min} 750 ms |
| | t_{max} 10 min |
| $2 \cdot I_N$ | t_{min} 150 ms |
| | t_{max} 5 s |
| $3,5 \cdot I_N$ | t_{min} 40 ms |
| | t_{max} 500 ms |
| $6 \cdot I_N$ | t_{min} 20 ms |
| | t_{max} 100 ms |



Melting time graph at 23°C on test module ISO.



Type Standard



| | | | | | |
|----------------------------|-------------|-------------------------|-------------------|---|----------------|
| Spannung Voltage | 58 V | Strom Current | 2 A - 40 A | Ausschaltvermögen Breaking capacity | 1.000 A |
|----------------------------|-------------|-------------------------|-------------------|---|----------------|

Anwendung / Application

Hochspannungsanwendungen in der Automobilindustrie, USV bis 58 V /
High voltage automotive industry and UPS up to 58 V



Aufbau / Construction:

Gehäuse / Body Isolierender Kunststoff / Insulating plastic
Kontakt / Contact Zinklegierung / Zinc alloy

Verpackungsmöglichkeiten / Packing options:

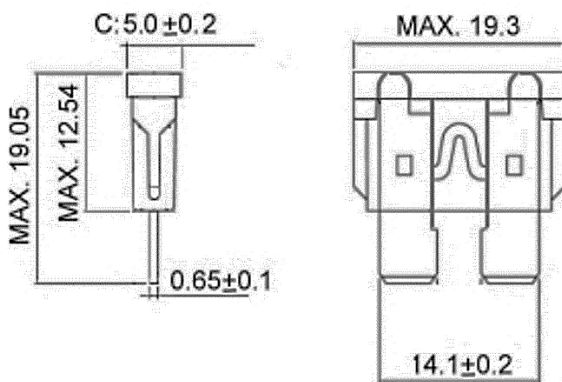
500 St. = Industrieverpackung /
500 pcs. = Industrial packaging

Bemessungswerte / Ratings:

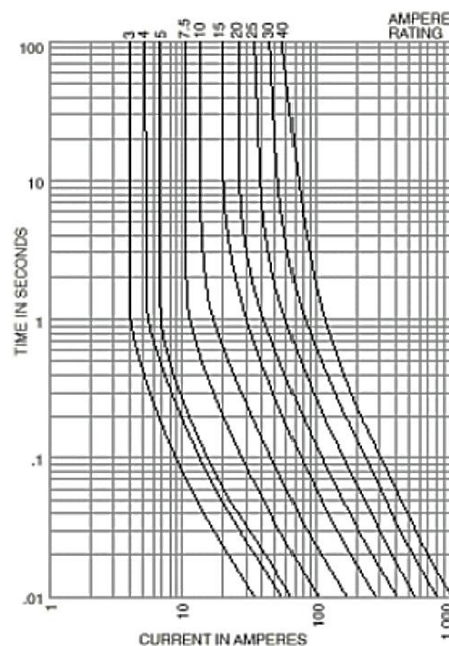
| Art. No. | I_N | U_N [V] | R_c [mΩ] | I_{BC} [A] | Farbcode / Color Code |
|-------------|-------|-----------|------------|--------------|------------------------|
| 340.020-58V | 2 A | 58 | 55 | 1.000 | Grau / Grey |
| 340.022-58V | 3 A | 58 | 31 | 1.000 | Violett / Violet |
| 340.023-58V | 4 A | 58 | 23 | 1.000 | Rosa / Pink |
| 340.024-58V | 5 A | 58 | 18 | 1.000 | Hellbraun / Tan |
| 340.026-58V | 7,5 A | 58 | 11 | 1.000 | Braun / Brown |
| 340.027-58V | 10 A | 58 | 7,7 | 1.000 | Rot / Red |
| 340.029-58V | 15 A | 58 | 4,8 | 1.000 | Blau / Blue |
| 340.031-58V | 20 A | 58 | 3,3 | 1.000 | Gelb / Yellow |
| 340.032-58V | 25 A | 58 | 2,5 | 1.000 | Weiss / White |
| 340.033-58V | 30 A | 58 | 1,9 | 1.000 | Grün / Green |
| 340.034-58V | 35 A | 58 | 1,6 | 1.000 | Blau Grün / Blue Green |
| 340.035-58V | 40 A | 58 | 1,4 | 1.000 | Bernstein / Amber |

$I_N - t$ Verhalten / $I_N - t$ characteristics:

| Bemessungsstrom-Faktor / Rated current factor | Schmelzzeit / Melting time: |
|---|--------------------------------------|
| $1,1 \cdot I_N$ | t_{min} 100 h t_{max} - |
| $1,35 \cdot I_N$ | t_{min} 750 ms t_{max} 30 min |
| $2 \cdot I_N$ | t_{min} 40 ms t_{max} 5 s |



I-t Charakteristik / Characteristics:



Type Maxi (LED)



Spannung
Voltage **32 V**

Strom
Current **20 A - 100 A**



Anwendung / Application:

Anwendungen in der Automobilindustrie /
Applications in automotive industry

Aufbau / Construction:

Gehäuse / Body: Isolierender Kunststoff / Insulating plastic
Kontakt / Contact: Zinklegierung / Zinc alloy

Verpackungsmöglichkeiten / Packing options:

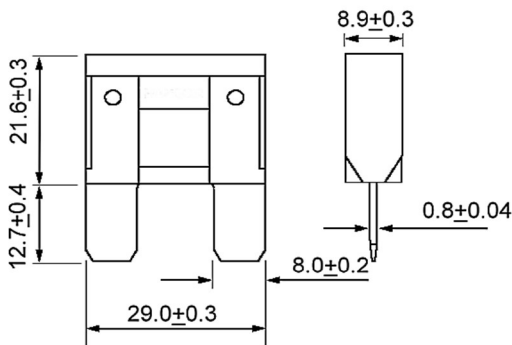
100 St. im Polybeutel / 100 pcs. in polybag

Bemessungswerte / Ratings:

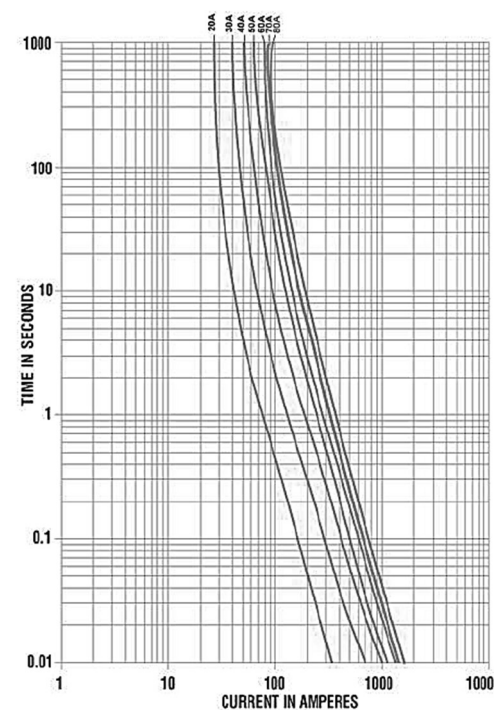
| Art. No. | I_N | U_N [V] | R_c [mΩ] | Farbcode / Color Code |
|----------|-------|--------------|---------------|--------------------------|
| 340.631 | 20 A | 32 | 3,9 | Gelb / Yellow |
| 340.633 | 30 A | 32 | 2,4 | Grün / Green |
| 340.635 | 40 A | 32 | 1,8 | Orange / Amber |
| 340.637 | 50 A | 32 | 1,4 | Rot / Red |
| 340.639 | 60 A | 32 | 1,1 | Blau / Blue |
| 340.640 | 70 A | 32 | 0,9 | Braun / Tan |
| 340.641 | 80 A | 32 | 0,8 | Weiß / White |
| 340.643 | 100 A | 32 | 0,6 | Violett / Purple |

I_N - t Verhalten / I_N - t characteristics:

| Bemessungs- strom-Faktor / Rated current factor | Schmelzzeit / Melting time: | |
|---|-----------------------------------|--------------|
| | 20 A - 60 A | 70 A - 100 A |
| $1,35 \cdot I_N$ | t_{min} | 1 min |
| | t_{max} | 30 min |
| $2 \cdot I_N$ | t_{min} | 4 s |
| | t_{max} | 1 min |
| $3,5 \cdot I_N$ | t_{min} | 200 ms |
| | t_{max} | 7 s |



I - t Charakteristik / Characteristics:



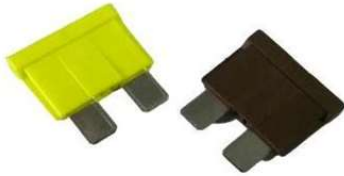
Type Standard



| | | | | | |
|----------------------------|-------------|-------------------------|-------------------|---|----------------|
| Spannung Voltage | 80 V | Strom Current | 1 A - 35 A | Ausschaltvermögen Breaking capacity | 1.000 A |
|----------------------------|-------------|-------------------------|-------------------|---|----------------|

Anwendung / Application

Hochspannungsanwendungen in der Automobilindustrie, USV bis 80 V / High voltage automotive industry and UPS up to 80 V



Aufbau / Construction:

Gehäuse / Body: Isolierender Kunststoff / Insulating Plastic
Kontakte / Terminals: Cu-Legierung, verzinkt / Copper alloy, Sn plated

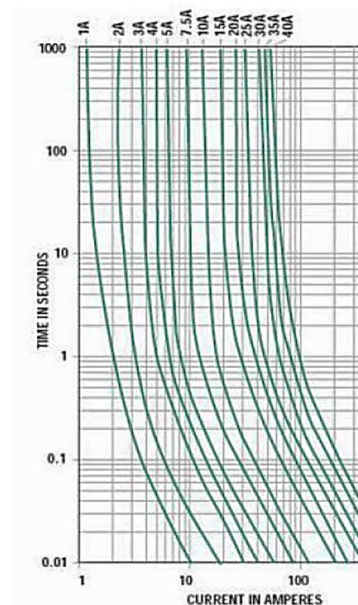
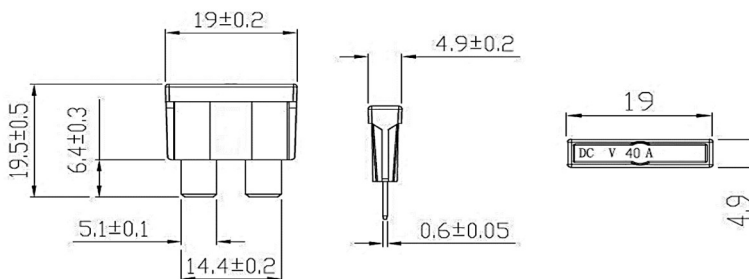
Verpackungsmöglichkeiten / Packing options: 2.000 St. im Polybeutel / 2.000 pcs. in polybag

Bemessungswerte / Ratings:

| Art. No. | I_N | U_N [V] | I_{BC} [A] | Farbcode / Color Code |
|-------------|-------|-----------|--------------|-----------------------|
| 340.017-80V | 1 A | 80 | 1.000 | Schwarz / Black |
| 340.020-80V | 2 A | 80 | 1.000 | Grau / Grey |
| 340.022-80V | 3 A | 80 | 1.000 | Violett / Violet |
| 340.023-80V | 4 A | 80 | 1.000 | Rosa / Pink |
| 340.024-80V | 5 A | 80 | 1.000 | Hellbraun / Tan |
| 340.026-80V | 7,5 A | 80 | 1.000 | Braun / Brown |
| 340.027-80V | 10 A | 80 | 1.000 | Rot / Red |
| 340.029-80V | 15 A | 80 | 1.000 | Blau / Blue |
| 340.031-80V | 20 A | 80 | 1.000 | Gelb / Yellow |
| 340.032-80V | 25 A | 80 | 1.000 | Weiss / White |
| 340.033-80V | 30 A | 80 | 1.000 | Grün / Green |
| 340.034-80V | 35 A | 80 | 1.000 | Lila / Purple |

$I_N - t$ Verhalten / $I_N - t$ characteristics:

| Bemessungsstrom-Faktor / Rated current factor | t_{min} | t_{max} | Schmelzzeit / Melting time: |
|---|-----------|-----------|-----------------------------|
| $1 \cdot I_N$ | - | - | 1 A |
| $1,1 \cdot I_N$ | t_{min} | t_{max} | 100 h |
| $1,5 \cdot I_N$ | t_{min} | t_{max} | 500 ms |
| $2 \cdot I_N$ | t_{min} | t_{max} | 5 min |
| $3,5 \cdot I_N$ | t_{min} | t_{max} | 150 ms |
| $6 \cdot I_N$ | t_{min} | t_{max} | 20 s |
| | | | 40 ms |
| | | | 500 ms |
| | | | 20 ms |
| | | | 100 ms |



Type Standard



| | | | | | |
|-----------------------------------|-------------|--------------------------------|-------------------|--|----------------|
| Spannung <i>Voltage</i> | 32 V | Strom <i>Current</i> | 1 A - 40 A | Ausschaltvermögen <i>Breaking capacity</i> | 1.000 A |
|-----------------------------------|-------------|--------------------------------|-------------------|--|----------------|



Norm gemäß /
Standard according to:

DIN 72581
SAE J-1284

Anwendungen / Applications:

Kfz-Bereich & Elektroindustrie /
Automobile area & electrical industry

Aufbau / Construction:

Anschlüsse: Zink-Legierung
Termination: zinc-alloy
Gehäuse (transparent): Polycarbonat (PC) /
Housing (transparent): Polycarbonate (PC)

Verpackungsmöglichkeiten /
Packing options:

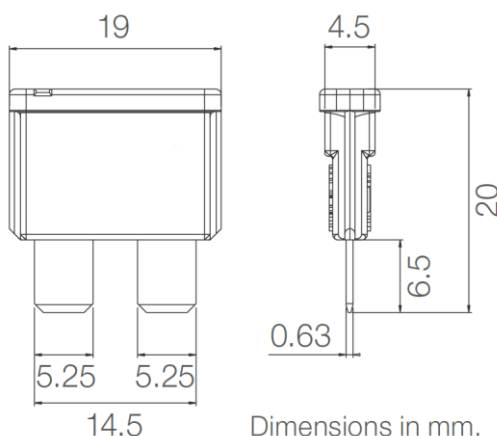
1.000 St. = Industrieverpackung (lose
geschüttet) /
1.000 pcs. = Industrial box (bulk in carton)

Bemessungswerte / Ratings:

| Art. No. | I_N | U_N [V] | R_c [mΩ] | I_{BC} [A] | Farbcode / Colour Code |
|----------|-------|--------------|---------------|-----------------|---------------------------|
| 340.117 | 1 A | 32 | 120 | 1.000 | Schwarz / Black |
| 340.120 | 2 A | 32 | 56 | 1.000 | Grau / Gray |
| 340.122 | 3 A | 32 | 34 | 1.000 | Violet / Violet |
| 340.123 | 4 A | 32 | 24 | 1.000 | Rosa / Pink |
| 340.124 | 5 A | 32 | 18 | 1.000 | Hellbraun / Tan |
| 340.126 | 7,5 A | 32 | 11 | 1.000 | Braun / Brown |
| 340.127 | 10 A | 32 | 7,7 | 1.000 | Rot / Red |
| 340.129 | 15 A | 32 | 4,5 | 1.000 | Blau / Blue |
| 340.131 | 20 A | 32 | 3,2 | 1.000 | Gelb / Yellow |
| 340.132 | 25 A | 32 | 2,3 | 1.000 | Natur / Natural |
| 340.133 | 30 A | 32 | 1,8 | 1.000 | Grün / Green |
| 340.135 | 40 A | 32 | 2,1 | 1.000 | Orange / Orange |

$I_N - t$ Verhalten / $I_N - t$ characteristics:

| Bemessungsstrom-Faktor / Rated current factor | Schmelzzeit / Melting time: |
|--|-------------------------------------|
| | 1 A - 40 A |
| $1,1 \cdot I_N$ | t_{min} 100 h t_{max} - |
| $1,35 \cdot I_N$ | t_{min} 500 ms t_{max} 5 min |
| $2 \cdot I_N$ | t_{min} 150 ms t_{max} 20 s |
| $3,5 \cdot I_N$ | t_{min} 40 ms |



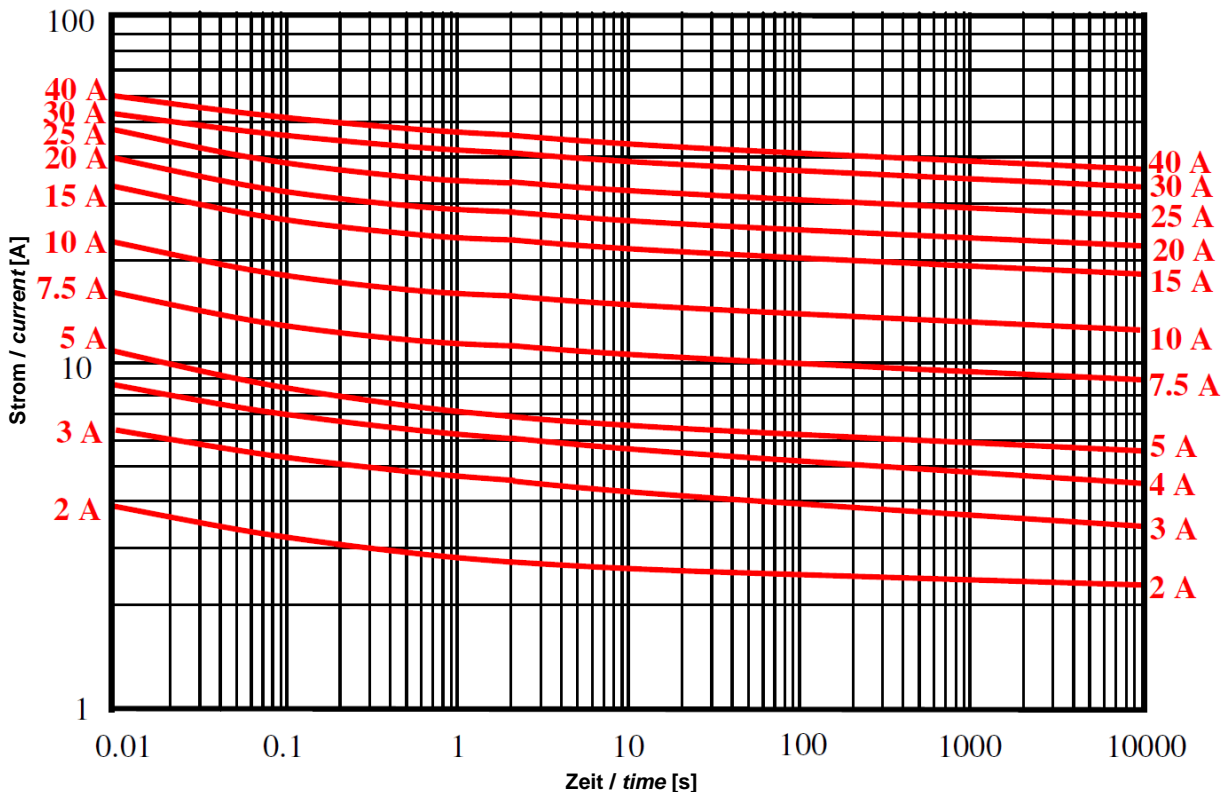
Dimensions in mm.

Type Standard

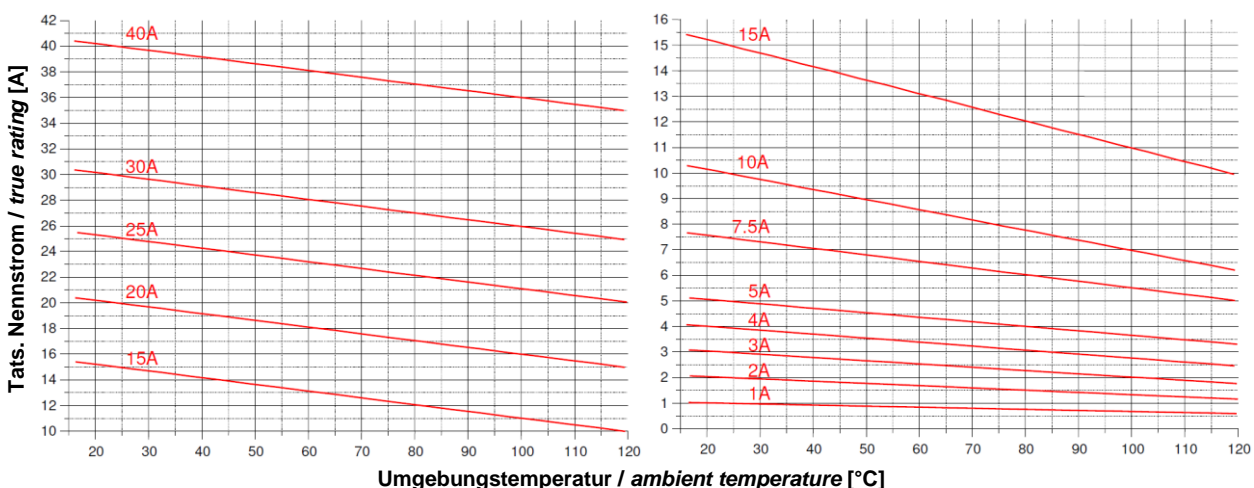


| | | | | | |
|---------------------|------|------------------|------------|--|---------|
| Spannung Voltage | 32 V | Strom Current | 1 A - 40 A | Ausschaltvermögen Breaking capacity | 1.000 A |
|---------------------|------|------------------|------------|--|---------|

Strom-Zeit-Kennlinie 23°C / Time-current Curve (23°C)



Temperatur-De-rating / Temperature De-Rating Curves



Type Standard (LED)



Spannung
Voltage **32 V**

Strom
Current **3 A - 40 A**



Anwendung / Application:

Anwendungen in der Automobilindustrie /
Applications in automotive industry

Aufbau / Construction:

Gehäuse / Body: Isolierender Kunststoff / Insulating plastic
Kontakt / Contact: Zinklegierung / Zinc alloy

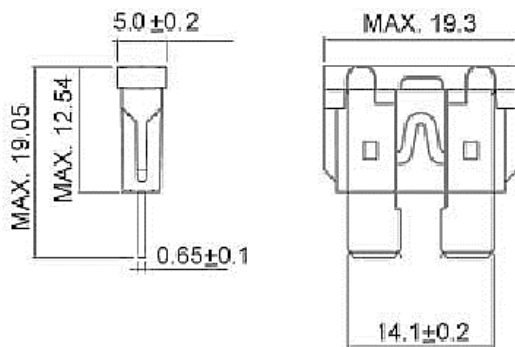
Verpackungsmöglichkeiten / Packing options: 2.000 St. im Polybeutel / 2.000 pcs. in polybag

Bemessungswerte / Ratings:

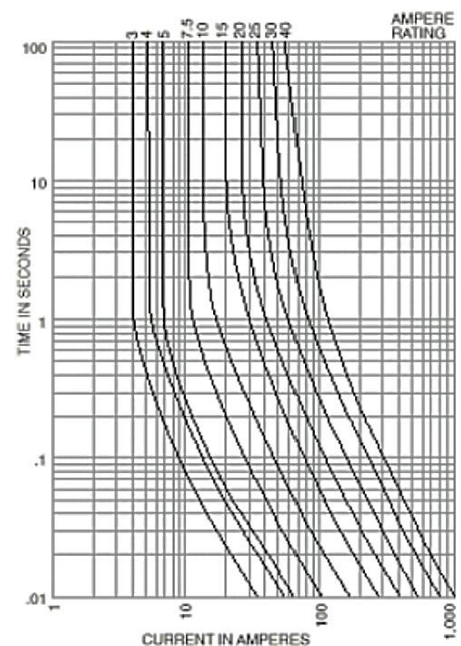
| Art. No. | I_N | U_N [V] | R_c [mΩ] | Farbcode / Color Code |
|----------|-------|--------------|---------------|--------------------------|
| 340.220 | 2 A | 32 | 55 | Grau / Grey |
| 340.222 | 3 A | 32 | 30 | Violett / Violet |
| 340.223 | 4 A | 32 | 23 | Rosa / Pink |
| 340.224 | 5 A | 32 | 17 | Hellbraun / Tan |
| 340.226 | 7,5 A | 32 | 10,5 | Braun / Brown |
| 340.227 | 10 A | 23 | 7,5 | Rot / Red |
| 340.229 | 15 A | 32 | 4,6 | Blau / Blue |
| 340.231 | 20 A | 32 | 3,2 | Gelb / Yellow |
| 340.232 | 25 A | 32 | 2,4 | Weiss / White |
| 340.233 | 30 A | 32 | 1,8 | Grün / Green |
| 340.234 | 35 A | 32 | 1,6 | Blau Grün / Blue Green |
| 340.235 | 40 A | 32 | 1,3 | Bernstein / Amber |

I_N - t Verhalten / I_N - t characteristics:

| Bemessungsstrom-Faktor / Rated current factor | Schmelzzeit / Melting time: |
|--|---------------------------------|
| | 3 A |
| | - |
| | 40 A |
| $1,1 \cdot I_N$ | t_{min} 100 h t_{max} - |
| $1,35 \cdot I_N$ | t_{min} 0 t_{max} 30 min |
| $2 \cdot I_N$ | t_{min} 0 t_{max} 5 s |



I - t Charakteristik / Characteristics:



Type Maxi (LED)



Spannung
Voltage **32 V**

Strom
Current **20 A - 100 A**



Anwendung / Application:

Anwendungen in der Automobilindustrie /
Applications in automotive industry

Aufbau / Construction:

Gehäuse / Body: Isolierender Kunststoff / Insulating plastic
Kontakt / Contact: Zinklegierung / Zinc alloy

Verpackungsmöglichkeiten / Packing options:

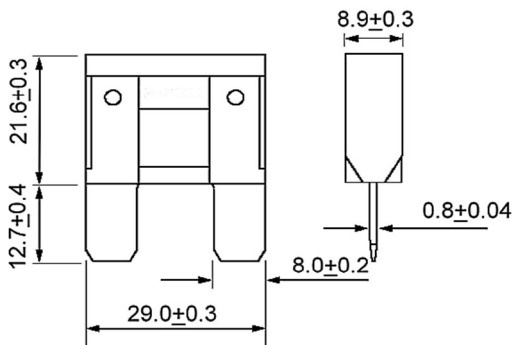
100 St. im Polybeutel / 100 pcs. in polybag

Bemessungswerte / Ratings:

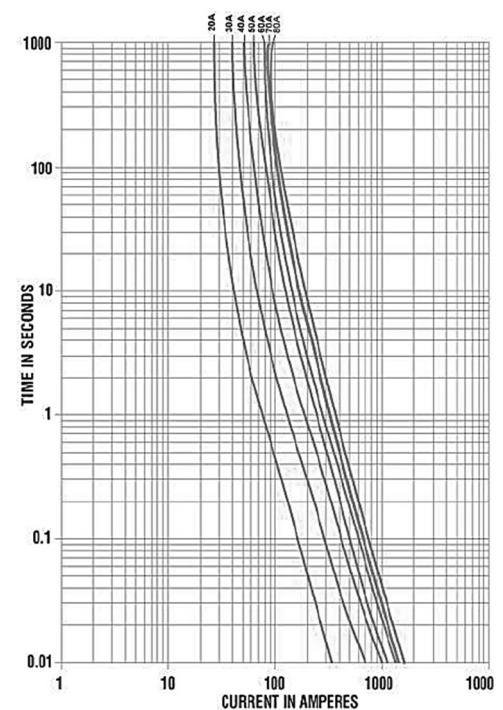
| Art. No. | I_N | U_N [V] | R_c [mΩ] | Farbcode / Color Code |
|----------|-------|--------------|---------------|--------------------------|
| 340.631 | 20 A | 32 | 3,9 | Gelb / Yellow |
| 340.633 | 30 A | 32 | 2,4 | Grün / Green |
| 340.635 | 40 A | 32 | 1,8 | Orange / Amber |
| 340.637 | 50 A | 32 | 1,4 | Rot / Red |
| 340.639 | 60 A | 32 | 1,1 | Blau / Blue |
| 340.640 | 70 A | 32 | 0,9 | Braun / Tan |
| 340.641 | 80 A | 32 | 0,8 | Weiß / White |
| 340.643 | 100 A | 32 | 0,6 | Violett / Purple |

$I_N - t$ Verhalten / $I_N - t$ characteristics:

| Bemessungs- strom-Faktor / Rated current factor | Schmelzzeit / Melting time: | |
|---|-----------------------------------|--------------|
| | 20 A – 60 A | 70 A - 100 A |
| $1,35 \cdot I_N$ | t_{min} | 1 min |
| | t_{max} | 30 min |
| $2 \cdot I_N$ | t_{min} | 4 s |
| | t_{max} | 1 min |
| $3,5 \cdot I_N$ | t_{min} | 200 ms |
| | t_{max} | 7 s |



$I - t$ Charakteristik / Characteristics:



Type Standard



Spannung 14 V
Voltage

Strom 5 A - 30 A
Current

Ausschaltvermögen 100 A – 300 A
Breaking Capacity



Spezifikation / *Specification:*

Automatische Rückstellung (Typ I) /
Automatic reset type (Type I)

Einpoliger thermischer Schutzschalter /
Single pole temperature circuit breaker

Prüfnorm / *Testing standards:*

SAE J553 Type I

Temperaturbereich / *Operating temperature:*

-40°C (-40°F) bis / to 85°C (185°F)

Lagerung / *Storage:*

-40°C (-40°F) bis / to 125°C (260°F)

Verpackungsmöglichkeiten / *Packing options:*

100 St. im Polybeutel / 100 pcs. in polybag

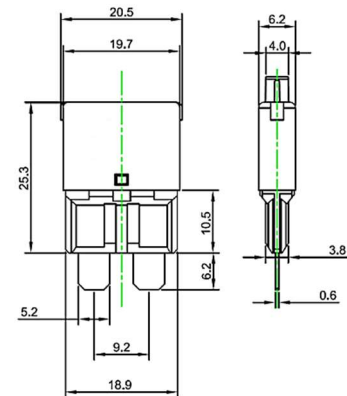
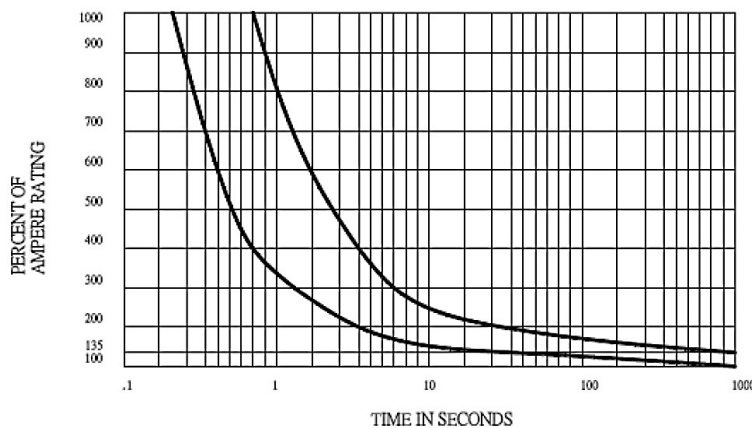
Bemessungswerte / Ratings:

| Art. No. | I | U [V] | I _{BC} [A] | Farbcode / Color code |
|--------------------|-------|-------|---------------------|-----------------------|
| 340.024–Auto Reset | 5 A | 14 | 100 | Hellbraun / Tan |
| 340.025–Auto Reset | 7,5 A | 14 | 100 | Braun / Brown |
| 340.027–Auto Reset | 10 A | 14 | 100 | Rot / Red |
| 340.029–Auto Reset | 15 A | 14 | 150 | Blau / Blue |
| 340.031–Auto Reset | 20 A | 14 | 200 | Gelb / Yellow |
| 340.032–Auto Reset | 25 A | 14 | 300 | Weiß / White |
| 340.033–Auto Reset | 30 A | 14 | 300 | Grün / Green |

I_N - t Verhalten / I_N - t characteristics:

| Bemessungsstrom-Faktor / Rated current factor | Schmelzeit / Melting time: |
|---|--|
| 2 · I _N | t _{min} / t _{max} Auf Anfrage |
| 4 · I _N | t _{min} / t _{max} / |
| 10 · I _N | t _{min} / t _{max} On Request |

TRIP TIME VS. PERCENT OF RATED CURRENT



Type Standard



Spannung 28 V
Voltage

Strom 5 A - 30 A
Current

Ausschaltvermögen 200 A – 300 A
Breaking Capacity



Spezifikation / *Specification:*

Manuelle Rückstellung (Typ III) /
Manual reset type (Type III)

Einpoliger thermischer Schutzschalter /
Single pole temperature circuit breaker

Prüfnorm / *Testing standards:*

SAE J553 Type III

Temperaturbereich / *Operating temperature:*

-40°C (-40°F) bis / to 85°C (185°F)

Lagerung / *Storage:*

-40°C (-40°F) bis / to 125°C (260°F)

Verpackungsmöglichkeiten / *Packing options:*

100 St. im Polybeutel / 100 pcs. in polybag

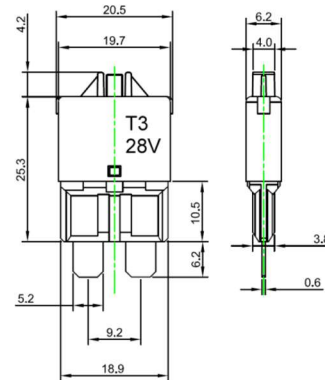
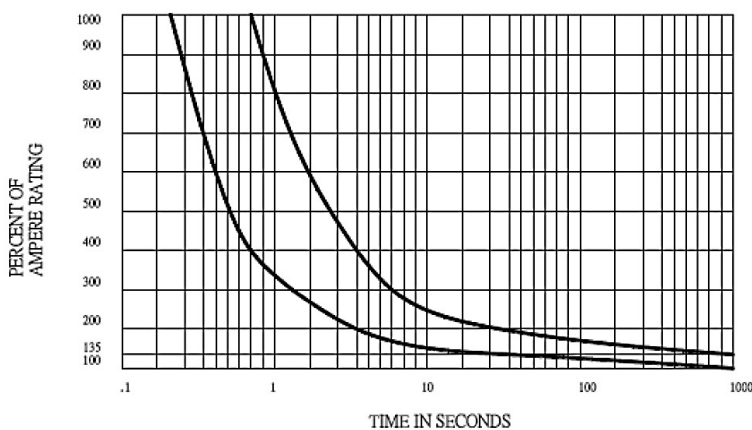
Bemessungswerte / Ratings:

| Art. No. | I | U [V] | I _{BC} [A] | Farbcode / Color code |
|----------------------|-------|-------|---------------------|-----------------------|
| 340.024–Manual Reset | 5 A | 28 | 100 | Hellbraun / Tan |
| 340.025–Manual Reset | 7,5 A | 28 | 100 | Braun / Brown |
| 340.027–Manual Reset | 10 A | 28 | 100 | Röt / Red |
| 340.029–Manual Reset | 15 A | 28 | 150 | Blau / Blue |
| 340.031–Manual Reset | 20 A | 28 | 200 | Gelb / Yellow |
| 340.032–Manual Reset | 25 A | 28 | 300 | Weiß / White |
| 340.033–Manual Reset | 30 A | 28 | 300 | Grün / Green |

I_N - t Verhalten / I_N - t characteristics:

| Bemessungsstrom-Faktor / Rated current factor | Schmelzzeit / Melting time: |
|---|--|
| 2 · I _N | t _{min} t _{max} Auf Anfrage |
| 4 · I _N | t _{min} t _{max} / |
| 10 · I _N | t _{min} t _{max} On Request |

TRIP TIME VS. PERCENT OF RATED CURRENT



Type Maxi



| | | | | | |
|----------------------------|-------------|-------------------------|---------------------|---|----------------|
| Spannung Voltage | 32 V | Strom Current | 20 A - 100 A | Ausschaltvermögen Breaking capacity | 1.000 A |
|----------------------------|-------------|-------------------------|---------------------|---|----------------|



Norm / Standard:

ISO 8820-3

Anwendung / Application

Automobilindustrie, DC-Anwendungen /
Automotive industry, DC-applications

Aufbau / Construction:

Gehäuse / Body: Isolierender Kunststoff / Insulating Plastic (PA66)
Kontakte / Terminals: Zink, verzinkt / Zinc, tin plated

Betriebs-Umgebungstemperatur /
Operating-ambient temperature:

-40 °C bis / to +125 °C

Verpackungsmöglichkeiten / Packing options:

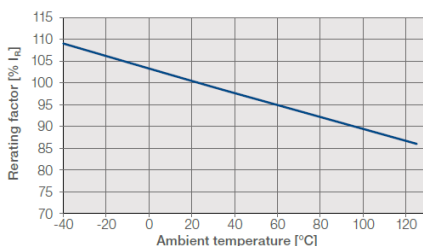
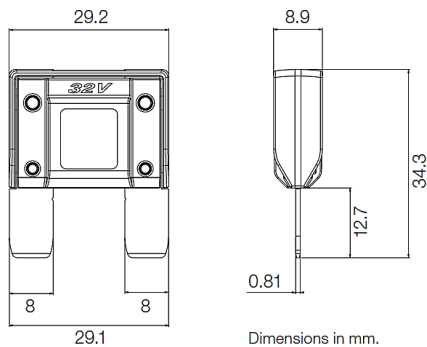
2.000 St. = Industrieverpackung /
2.000 pcs. = Industrial packaging

Bemessungswerte / Ratings:

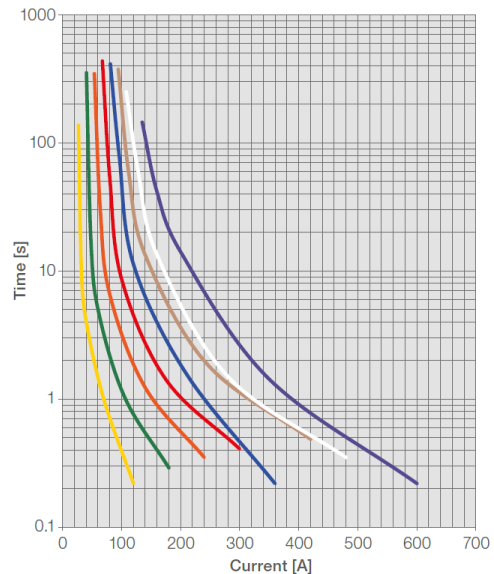
| Art. No. | I_N | U_N [V] | U_d [mV] | I_{BC} [A] | I^2t [A ² s] | Farcode / Color Code |
|----------|-------|--------------|---------------|-----------------|------------------------------|-------------------------|
| 343.431 | 20 A | 32 | 105 | 1.000 | 2.880 | Gelb / Yellow |
| 343.433 | 30 A | 32 | 95 | 1.000 | 7.069 | Grün / Green |
| 343.435 | 40 A | 32 | 90 | 1.000 | 23.120 | Orange / Orange |
| 343.437 | 50 A | 32 | 89 | 1.000 | 36.980 | Rot / Red |
| 343.439 | 60 A | 32 | 84 | 1.000 | 40.680 | Blau / Blue |
| 343.440 | 70 A | 32 | 87 | 1.000 | 112.500 | Hellbraun / Tan |
| 343.441 | 80 A | 32 | 85 | 1.000 | 23.120 | Weiss / White |
| 343.443 | 100 A | 32 | 89,5 | 1.000 | 65.000 | Violett / Violet |

$I_N - t$ Verhalten / $I_N - t$ characteristics:

| Bemessungsstrom-Faktor / Rated current factor | Schmelzzeit / Melting time: | |
|--|--------------------------------|-----------|
| | t_{min} | t_{max} |
| 1,1 · I_N | 100 h | - |
| | t_{min} | t_{max} |
| 1,35 · I_N | 1 min | 10 min |
| | t_{min} | t_{max} |
| 2 · I_N | 2 s | 1 min |
| | t_{min} | t_{max} |
| 3,5 · I_N | 200 ms | 7 s |
| | t_{min} | t_{max} |
| 6 · I_N | 40 ms | 1 s |
| | t_{min} | t_{max} |



Melting time graph at 23°C on test module ISO.



Type Maxi



Spannung 58 V
Voltage

Strom 20 A - 100 A
Current

Ausschaltvermögen 1.000 A
Breaking capacity:



Norm / Standards:

SAE J1888, SAE J2576, ISO 8820-3

Anwendung / Application

Hochspannungsanwendungen in der Automobilindustrie, USV bis 58 V / High voltage automotive industry and UPS up to 58 V

Aufbau / Construction:

Gehäuse / Body Isolierender Kunststoff / Insulating plastic
Kontakt / Contact Zinklegierung / Zinc alloy

Verpackungsmöglichkeiten / Packing options:

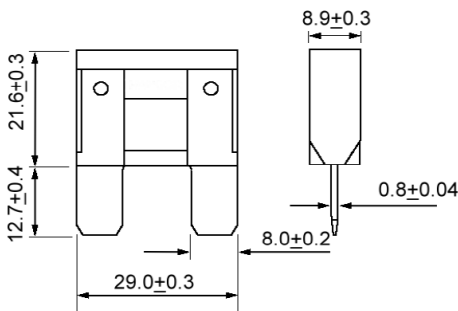
500 St. = Industrieverpackung / 500 pcs. = Industrial packaging

Bemessungswerte / Ratings:

| Art. No. | I_N | U_N [V] | R_C [mΩ] | I_{BC} [A] | Farbcode / Color Code |
|-------------|-------|-----------|------------|--------------|-----------------------|
| 343.430-58V | 20 A | 58 V | 31 | 1.000 | Gelb / Yellow |
| 343.431-58V | 30 A | 58 V | 20 | 1.000 | Grün / Green |
| 343.433-58V | 40 A | 58 V | 14 | 1.000 | Orange / Orange |
| 343.435-58V | 50 A | 58 V | 11 | 1.000 | Rot / Red |
| 343.439-58V | 60 A | 58 V | 8,9 | 1.000 | Blau / Blue |
| 343.440-58V | 70 A | 58 V | 6,9 | 1.000 | Braun / Brown |
| 343.441-58V | 80 A | 58 V | 14 | 1.000 | Weiß / White |
| 343.443-58V | 100 A | 58 V | 6,0 | 1.000 | Lila / Purple |

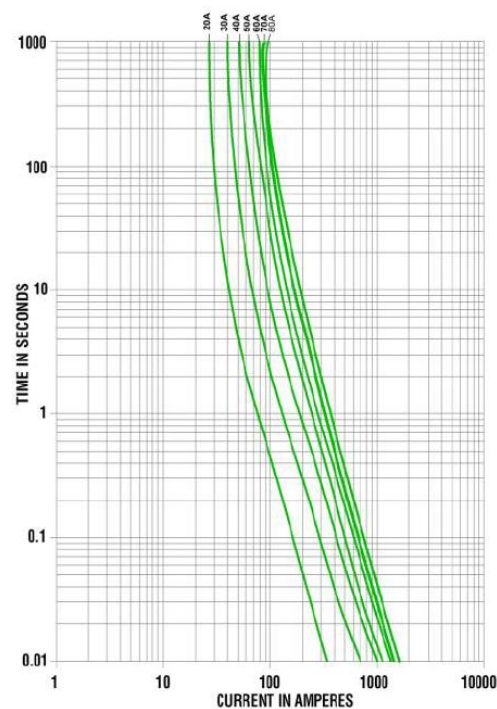
$I_N - t$ Verhalten / $I_N - t$ characteristics:

| Bemessungsstrom-Faktor / Rated current factor | Schmelzzeit / Melting time: | |
|---|-----------------------------|--------------|
| | 20 A - 60 A | 70 A - 100 A |
| $1,35 \cdot I_N$ | t_{min} | 1 min |
| | t_{max} | 30 min |
| $2 \cdot I_N$ | t_{min} | 4 s |
| | t_{max} | 1 min |
| $3,5 \cdot I_N$ | t_{min} | 200 ms |
| | t_{max} | 7 s |



Unit : mm

I-t Charakteristik / Characteristics:



Type M8 Compact



| | | | | | |
|----------------------------|-------------|-------------------------|--------------------|---|----------------|
| Spannung Voltage | 32 V | Strom Current | 30 A – 80 A | Ausschaltvermögen Breaking capacity | 1.000 A |
|----------------------------|-------------|-------------------------|--------------------|---|----------------|



Norm / Standards:

ISO 8820-11

Anwendung / Application

Automobilindustrie, DC-Anwendungen /
Automotive industry, DC-applications

Aufbau / Construction:

Gehäuse / Body:
Kontakte / Terminals:

Isolierender Kunststoff / Insulating Plastic (PA66)
Zink, verzinkt / Zinc, tin plated

Betriebs-Umgebungstemperatur /
Operating-ambient temperature:

-40 °C bis / to +125 °C

Verpackungsmöglichkeiten / Packing options:

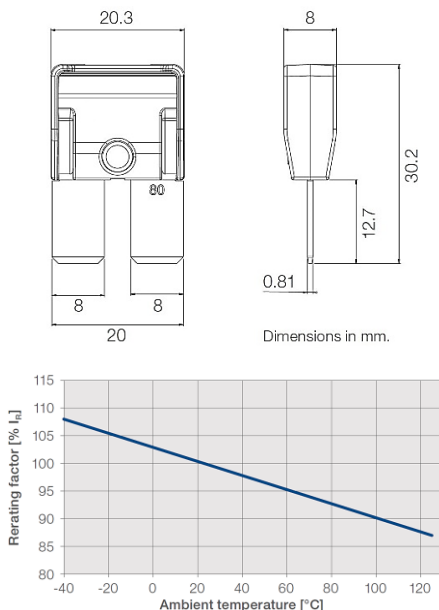
2.000 St. = Industrieverpackung /
2.000 pcs. = Industrial packaging

Bemessungswerte / Ratings:

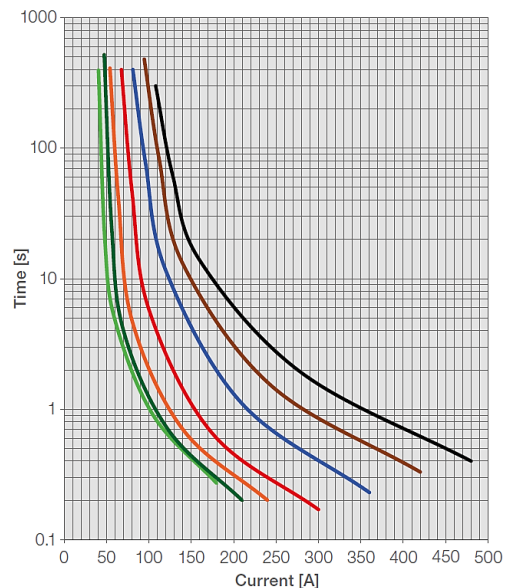
| Art. No. | I_N | U_N [V] | U_d [mV] | R_C [Ω] | I_{BC} [A] | Farbcode / Color Code |
|-------------|-------|-----------|------------|--------------------|--------------|-----------------------|
| 343.433-M8C | 30 A | 32 | 108 | 2,4 | 1.000 | Hellgrün / Lime |
| 343.434-M8C | 35 A | 32 | 102 | 1,9 | 1.000 | D.grün / D.green |
| 343.435-M8C | 40 A | 32 | 97 | 1,5 | 1.000 | Orange / Orange |
| 343.437-M8C | 50 A | 32 | 92 | 1,1 | 1.000 | Rot / Red |
| 343.439-M8C | 60 A | 32 | 85 | 0,9 | 1.000 | Blau / Blue |
| 343.440-M8C | 70 A | 32 | 82 | 0,7 | 1.000 | Hellbraun / Tan |
| 343.441-M8C | 80 A | 32 | 88 | 0,6 | 1.000 | Schwarz / Black |

I_N - t Verhalten / I_N - t characteristics:

| Bemessungsstrom-Faktor / Rated current factor | Schmelzzeit / Melting time: |
|---|-----------------------------|
| | 30 A |
| | - |
| | 80 A |
| $1,1 \cdot I_N$ | t_{min} 100 h |
| | t_{max} - |
| $1,35 \cdot I_N$ | t_{min} 1 min |
| | t_{max} 15 min |
| $2 \cdot I_N$ | t_{min} 2 s |
| | t_{max} 1 min |
| $3,5 \cdot I_N$ | t_{min} 200 ms |
| | t_{max} 7 s |
| $6 \cdot I_N$ | t_{min} 40 ms |
| | t_{max} 1 s |



Melting time graph at 23°C on test module ISO.



Type Maxi Compact



| | | | | | |
|----------------------------|-------------|-------------------------|--------------------|---|----------------|
| Spannung Voltage | 32 V | Strom Current | 20 A – 60 A | Ausschaltvermögen Breaking capacity | 1.000 A |
|----------------------------|-------------|-------------------------|--------------------|---|----------------|



Norm / Standards: ISO 8820-10

Anwendung / Application: Automobilindustrie, DC-Anwendungen / Automotive industry, DC-applications

Aufbau / Construction:

Gehäuse / Body: Isolierender Kunststoff / Insulating Plastic (PA66)
 Kontakte / Terminals: Zink, verzinkt / Zinc, tin plated

Betriebs-Umgebungstemperatur / Operating-ambient temperature: -40 °C bis / to +125 °C

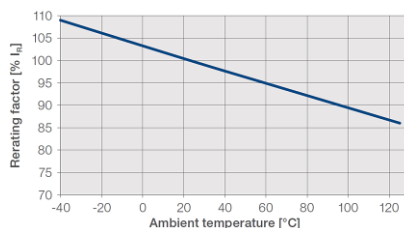
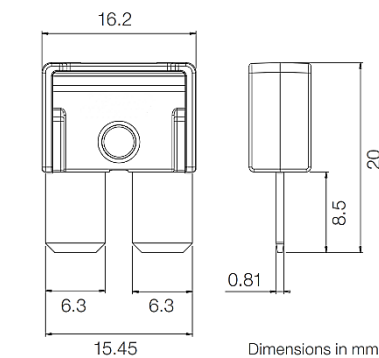
Verpackungsmöglichkeiten / Packing options: 2.000 St. = Industrieverpackung / 2.000 pcs. = Industrial packaging

Bemessungswerte / Ratings:

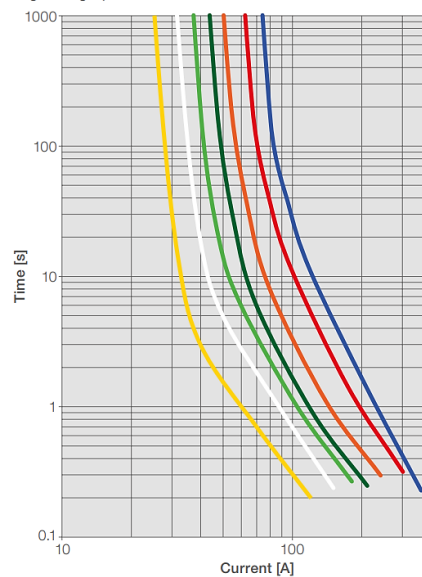
| Art. No. | I_N | U_N [V] | U_d [mV] | R_C [Ω] | I_{BC} [A] | Farcode / Color Code |
|------------|-------|-----------|------------|--------------------|--------------|----------------------|
| 343.431-MC | 20 A | 32 | 93 | 3,4 | 1.000 | Gelb / Yellow |
| 343.432-MC | 25 A | 32 | 101 | 2,8 | 1.000 | Weiß / White |
| 343.433-MC | 30 A | 32 | 100 | 2,2 | 1.000 | Hellgrün / Lime |
| 343.434-MC | 35 A | 32 | 89 | 1,7 | 1.000 | D.grün / D.green |
| 343.435-MC | 40 A | 32 | 85 | 1,4 | 1.000 | Orange / Orange |
| 343.437-MC | 50 A | 32 | 84 | 1,0 | 1.000 | Rot / Red |
| 343.439-MC | 60 A | 32 | 69 | 0,8 | 1.000 | Blau / Blue |

I_N - t Verhalten / I_N - t characteristics:

| Bemessungsstrom-Faktor / Rated current factor | Schmelzzeit / Melting time: |
|---|-----------------------------|
| $1,1 \cdot I_N$ | t_{min} 100 h |
| | t_{max} - |
| | $1,35 \cdot I_N$ |
| $1,35 \cdot I_N$ | t_{min} 1 min |
| | t_{max} 5 min |
| $2 \cdot I_N$ | t_{min} 2 s |
| | t_{max} 30 s |
| $3,5 \cdot I_N$ | t_{min} 200 ms |
| | t_{max} 7 s |
| $6 \cdot I_N$ | t_{min} 40 ms |
| | t_{max} 1 s |



Melting time graph at 23°C on test module ISO.



Type Maxi



| | | | | | |
|----------------------------|-------------|-------------------------|---------------------|---|----------------|
| Spannung Voltage | 58 V | Strom Current | 20 A - 100 A | Ausschaltvermögen Breaking capacity | 1.000 A |
|----------------------------|-------------|-------------------------|---------------------|---|----------------|



Anwendung / Application

Hochspannungsanwendungen in der Automobilindustrie, USV bis 58 V / High voltage automotive industry and UPS up to 58 V

Aufbau / Construction:

Gehäuse / Body Isolierender Kunststoff / Insulating plastic
 Kontakt / Contact Zinklegierung / Zinc alloy
Verzinnete Kontakte zum Einlöten / Tinned contacts suitable for soldering

Verpackungsmöglichkeiten / Packing options:

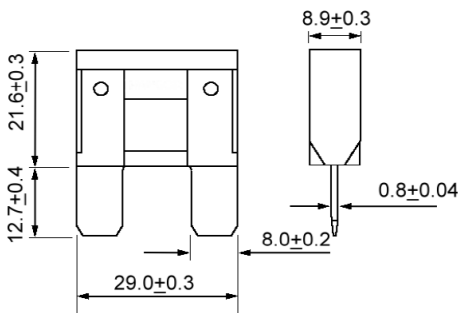
500 St. = Industrieverpackung / 500 pcs. = Industrial packaging

Bemessungswerte / Ratings:

| Art. No. | I_N | U_N [V] | R_c [mΩ] | I_{BC} [A] | Farbcode / Color Code |
|---------------|-------|-----------|------------|--------------|-----------------------|
| 1.343.430-58V | 20 A | 58 V | 31 | 1.000 | Gelb / Yellow |
| 1.343.431-58V | 30 A | 58 V | 20 | 1.000 | Grün / Green |
| 1.343.433-58V | 40 A | 58 V | 14 | 1.000 | Bernstein / Amber |
| 1.343.435-58V | 50 A | 58 V | 11 | 1.000 | Rot / Red |
| 1.343.439-58V | 60 A | 58 V | 8,9 | 1.000 | Blau / Blue |
| 1.343.440-58V | 70 A | 58 V | 6,9 | 1.000 | Hellbraun / Tan |
| 1.343.441-58V | 80 A | 58 V | 14 | 1.000 | Pink / Pink |
| 1.343.443-58V | 100 A | 58 V | 6,0 | 1.000 | Violett / Violet |

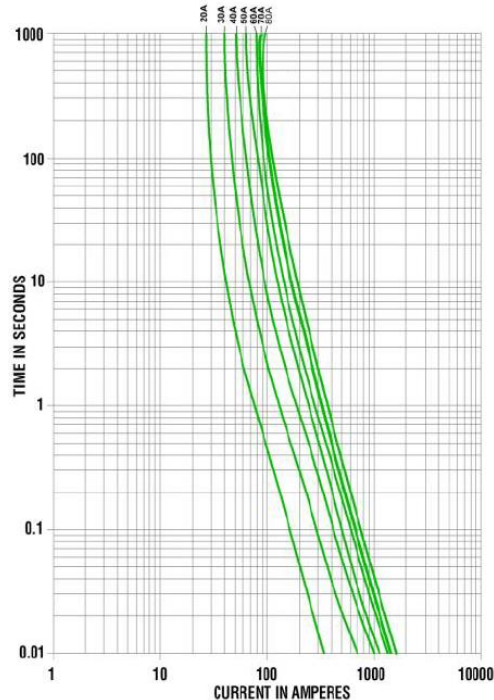
I_N - t Verhalten / I_N - t characteristics:

| Bemessungsstrom-Faktor / Rated current factor | Schmelzzeit / Melting time: | |
|---|-----------------------------|--------------|
| | 20 A - 60 A | 70 A - 100 A |
| $1,35 \cdot I_N$ | t_{min} | 1 min |
| | t_{max} | 30 min |
| $2 \cdot I_N$ | t_{min} | 4 s |
| | t_{max} | 1 min |
| $3,5 \cdot I_N$ | t_{min} | 200 ms |
| | t_{max} | 7 s |



Unit : mm

I-t Charakteristik / Characteristics:



41,2 x 11,2 mm



| | | | | | |
|-----------------------------------|-------------|--------------------------------|---------------------|--|----------------|
| Spannung <i>Voltage</i> | 32 V | Strom <i>Current</i> | 30 A - 100 A | Ausschaltvermögen <i>Breaking capacity</i> | 1.000 A |
|-----------------------------------|-------------|--------------------------------|---------------------|--|----------------|



Norm / Standard: DIN 72581-2
 Material: Kupfer, verzinkt / Copper zinc-alloy
 Farbe / Colour: Silber / silver
 Verpackungsmöglichkeiten / Packing options: 100 St. = Industrieverpackung / 100 pcs. = Industrial packaging

Bemessungswerte / Ratings:

| Art. No. | I_N | U_N [V] | U_d [mV] | I_{BC} [A] | Materialstärke / thickness |
|----------|-------|-----------|------------|--------------|----------------------------|
| 341.233 | 30 A | 32 | 80 | 1.000 | 0,20 |
| 341.235 | 40 A | 32 | 80 | 1.000 | 0,25 |
| 341.237 | 50 A | 32 | 80 | 1.000 | 0,35 |
| 341.239 | 60 A | 32 | 80 | 1.000 | 0,40 |
| 341.241 | 80 A | 32 | 80 | 1.000 | 0,50 |
| 341.243 | 100 A | 32 | 80 | 1.000 | 0,80 |

I_N - t Verhalten / I_N - t characteristics:

| Bemessungsstrom-Faktor / Rated current factor | Schmelzeit / Melting time: |
|---|----------------------------|
| $1,0 \cdot I_N$ | 30 A - 100 A |
| $2 \cdot I_N$ | Auf Anfrage |
| $4 \cdot I_N$ | On request |
| $10 \cdot I_N$ | |



| | | | | | |
|----------------------------|-------------|-------------------------|---------------------|---|-------------------------------------|
| Spannung Voltage | 58 V | Strom Current | 30 A – 200 A | Ausschaltvermögen Breaking capacity | Auf Anfrage / On request |
|----------------------------|-------------|-------------------------|---------------------|---|-------------------------------------|



Prüfnorm / Testing standards: ISO 8820-5

Anwendung / Application: Automobilindustrie, DC-Anwendungen / Automotive industry, DC-applications

Aufbau / Construction:

Gehäuse / Body: Thermoplastik / Thermoplastic
 Kontakt / Contact: Kupfer, Silber-Nickel Legierung / Copper, silver-nickel plated

Befestigungsschraube / Mounting screw: 5,5 mm

Umgebungstemperatur / Ambient temperature: -20 °C bis / to +125 °C

Verpackungsmöglichkeiten / Packing options: Auf Anfrage / On request

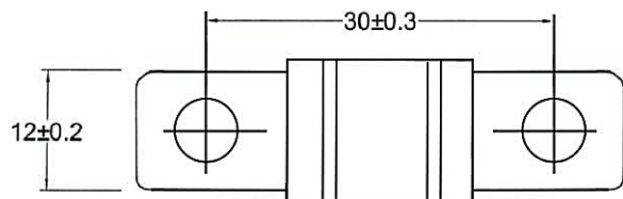
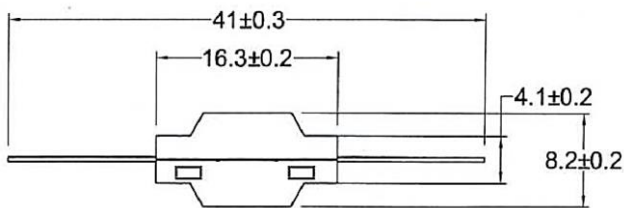
Bemessungswerte / Ratings:

| Art. No. | I_N | U [V] | I_{BC} [A] |
|-------------|-------|-------|--------------------------|
| 341.437-58V | 50 A | 58 | Auf Anfrage / On request |

I_N - t Verhalten / I_N - t characteristics:

| Bemessungsstrom-Faktor / Rated current factor | | Schmelzzeit / Melting time: | |
|---|-----------|-----------------------------|---------------|
| | | 30 A - 125 A | 150 A - 200 A |
| $1,5 \cdot I_N$ | t_{min} | 90 s | |
| | t_{max} | 1 h | |
| $2 \cdot I_N$ | t_{min} | 5 s | 1 s |
| | t_{max} | 10 s | 15 s |
| $3 \cdot I_N$ | t_{min} | 500 ms | 300 ms |
| | t_{max} | 3 s | 3 s |

Maße / Dimensions:



42 x 12 mm



| | | | | | |
|-----------------------------------|-------------|--------------------------------|---------------------|--|----------------|
| Spannung <i>Voltage</i> | 36 V | Strom <i>Current</i> | 30 A – 200 A | Ausschaltvermögen <i>Breaking capacity</i> | 1.000 A |
|-----------------------------------|-------------|--------------------------------|---------------------|--|----------------|



| | |
|---|---|
| Norm / <i>Standard</i> : | Werknorm / <i>Factory standard</i> |
| Material: | Kupfer, verzinkt / <i>Copper zinc-alloy</i> |
| Kontaktanschlüsse / <i>Connection possibility</i> : | 2 x M6 Schrauben mit 30 mm Abstand / <i>2 x M6 screw at 30 mm distance</i> |
| Anzugsdrehmoment / <i>Mounting torque</i> : | 4 Nm ± 1 Nm |
| Materialstärke / <i>Material thickness</i> : | 0,8 mm |
| Betriebstemperatur / <i>Operating temperature</i> : | -40°C bis / <i>to</i> +125°C (De-rating beachten / <i>Consider De-Rating</i>) |
| Verpackungsmöglichkeiten / <i>Packing options</i> : | Auf Anfrage / <i>On request</i> |

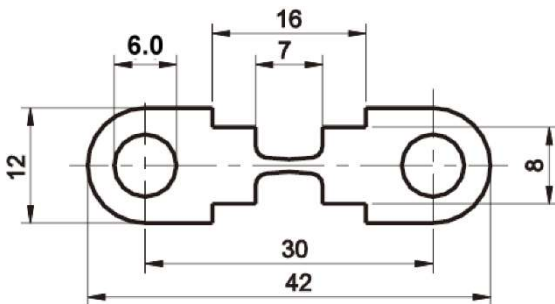
Bemessungswerte / Ratings:

| Art. No. | I_N | U_N [V] | U_d [mV] | R_c [mΩ] | I_{BC} [A] |
|------------|-------|--------------|---------------|---------------|-----------------|
| 341.233-M6 | 30 A | 36 | 48 | 1,42 | 1.000 |
| 341.235-M6 | 40 A | 36 | 48 | 0,95 | 1.000 |
| 341.237-M6 | 50 A | 36 | 46 | 0,70 | 1.000 |
| 341.239-M6 | 60 A | 36 | 46 | 0,62 | 1.000 |
| 341.241-M6 | 80 A | 36 | 46 | 0,45 | 1.000 |
| 341.243-M6 | 110 A | 36 | 46 | 0,35 | 1.000 |
| 341.244-M6 | 150 A | 36 | 56 | 0,30 | 1.000 |
| 341.245-M6 | 175 A | 36 | 56 | 0,28 | 1.000 |

I_N - t Verhalten / I_N - t characteristics:

| Bemessungsstrom-Faktor / <i>Rated current factor</i> | Schmelzzeit / <i>Melting time</i> : |
|---|--|
| | 30 A - 200 A |
| $1,25 \cdot I_N$ | t_{min} 100 h t_{max} - |
| $3 \cdot I_N$ | t_{min} 100 ms t_{max} 10 s |
| $6 \cdot I_N$ | t_{min} 20 ms t_{max} 1 s |
| $10 \cdot I_N$ | t_{min} 10 ms t_{max} 300 ms |

Maße / Dimensions:



Type Mega



| | | | | | |
|----------------------------|-------------|-------------------------|----------------------|---|----------------|
| Spannung Voltage | 32 V | Strom Current | 100 A - 500 A | Ausschaltvermögen Breaking capacity | 2.000 A |
|----------------------------|-------------|-------------------------|----------------------|---|----------------|



Norm / Standard:

ISO 8820-5 (type SF 51)

Aufbau / Construction:

Gehäuse / Body: PA66-GF25
 Kontakte / Terminals: 100 A – 250 A: Verzinn­te Zink­legierung / Tin plated zinc alloy
 300 A – 500 A: Verzinn­tes Kupfer / Tin plated copper

Befestigungsschraube / Mounting screw: M8

Umgebungstemperatur / Ambient temperature: -40 °C bis / to +125 °C

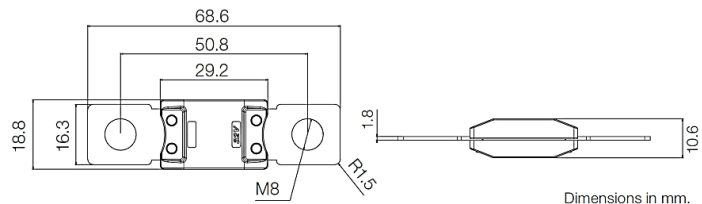
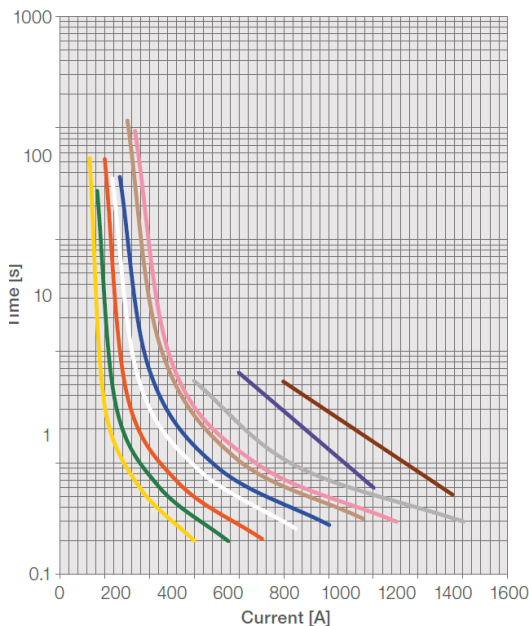
Verpackungsmöglichkeiten / Packing options: 1.000 St. = Industrie­verpackung / 1.000 pcs. = Industrial packaging

Bemessungswerte / Ratings:

| Art. No. | I_N | U_N [V] | U_d [mV] | I_{BC} [A] | I^2t [A ² s] | Farcode / Colour Code |
|----------|-------|-----------|------------|--------------|---------------------------|-----------------------|
| 341.310 | 100 A | 32 | 86 | 2.000 | 219.583 | Gelb / Yellow |
| 341.312 | 125 A | 32 | 85 | 2.000 | 353.125 | Grün / Green |
| 341.315 | 150 A | 32 | 93 | 2.000 | 463.167 | Orange / Orange |
| 341.317 | 175 A | 32 | 80 | 2.000 | 303.521 | Weiß / White |
| 341.320 | 200 A | 32 | 81 | 2.000 | 416.250 | Blau / Blue |
| 341.322 | 225 A | 32 | 100 | 2.000 | 296.042 | Braun / Brown |
| 341.325 | 250 A | 32 | 80 | 2.000 | 637.500 | Rosa / Pink |
| 341.328 | 300 A | 32 | 75 | 2.000 | 880.000 | Grau / Grey |
| 341.329 | 400 A | 32 | 75 | 2.000 | 1.028.000 | Violett / Violet |
| 341.327 | 500 A | 32 | 80 | 2.000 | 1.892.000 | Braun / Brown |

I_N - t Verhalten / I_N - t characteristics:

| Bemessungsstrom-Faktor / Rated current factor | Schmelzzeit / Melting time: |
|---|-------------------------------------|
| | 100 A - 500 A |
| $1,0 \cdot I_N$ | t_{min} 4 h t_{max} - |
| $1,35 I_N$ | t_{min} 2 min t_{max} 30 min |
| $2 \cdot I_N$ | t_{min} 1 s t_{max} 15 s |
| $3,5 \cdot I_N$ | t_{min} 300 ms t_{max} 5 s |
| $6 \cdot I_N$ | t_{min} 100 ms t_{max} 1 s |



Type Mega



| | | | | | |
|----------------------------|-------------|-------------------------|----------------------|---|----------------|
| Spannung Voltage | 70 V | Strom Current | 100 A – 500 A | Ausschaltvermögen Breaking capacity | 2.500 A |
|----------------------------|-------------|-------------------------|----------------------|---|----------------|



| | |
|---|--|
| Prüfnorm / Testing standards: | ISO 20934 (type SF51-70V) |
| Aufbau / Construction: Gehäuse / Body | GF6T/66-GF30 V0 (Thermoplastik / Thermoplastic) |
| Kontakt / Contact | Kupfer, verzinkt / Tin plated copper |
| Befestigungsschraube / Mounting screw: | M8 |
| Umgebungstemperatur / Ambient temperature: | -40 °C bis / to +125 °C |
| Verpackungsmöglichkeiten / Packing options: | 1.000 St. = Industrieverpackung / 1.000 pcs. = Industrial packaging |

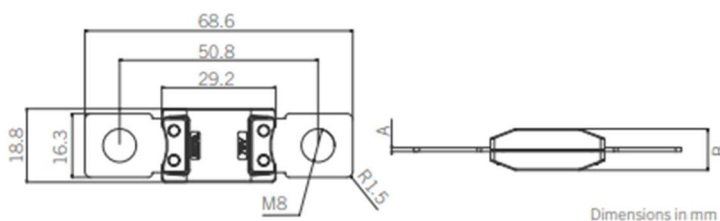
Bemessungswerte / Ratings:

| Art. No. | I_N | U_N [V] | U_d [mV] | I_{BC} [A] | I^2t [A ² s] | Farbcode / Colour Code |
|-------------|-------|-----------|------------|--------------|---------------------------|-------------------------|
| 341.310-70V | 100 A | 70 | 108 | 2.500 | 87.500 | Gelb / Yellow |
| 341.312-70V | 125 A | 70 | 107 | 2.500 | 100.000 | Grün / Green |
| 341.315-70V | 150 A | 70 | 104 | 2.500 | 150.000 | Orange / Orange |
| 341.317-70V | 175 A | 70 | 103 | 2.500 | 287.500 | Weiß / White |
| 341.320-70V | 200 A | 70 | 98 | 2.500 | 400.000 | Blau / Blue |
| 341.322-70V | 225 A | 70 | 98 | 2.500 | 537.500 | Hellbraun / Light Brown |
| 341.325-70V | 250 A | 70 | 103 | 2.500 | 612.500 | Rosa / Pink |
| 341.328-70V | 300 A | 70 | 55 | 2.500 | 937.500 | Grau / Grey |
| 341.329-70V | 400 A | 70 | 65 | 2.500 | 1.025.000 | Violett / Violet |
| 341.327-70V | 500 A | 70 | 75 | 2.500 | 1.687.500 | Braun / Brown |

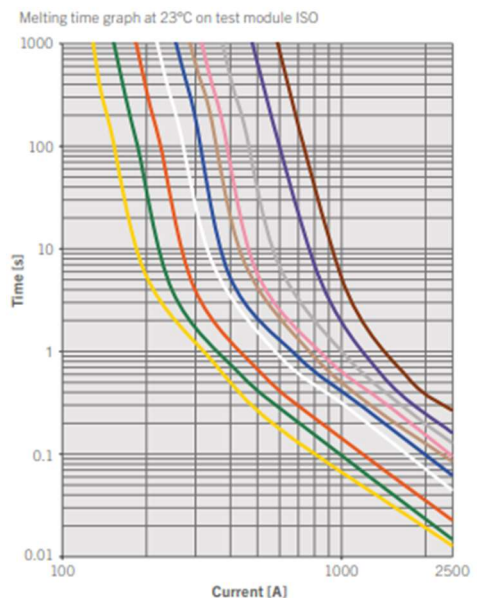
$I_N - t$ Verhalten / $I_N - t$ characteristics:

| Bemessungsstrom-Faktor / Rated current factor | Schmelzzeit / Melting time: |
|---|-------------------------------------|
| | 100 A |
| | - |
| | 500 A |
| $1,0 \cdot I_N$ | t_{min} 4 h t_{max} - |
| $1,35 \cdot I_N$ | t_{min} 2 min t_{max} 30 min |
| $2 \cdot I_N$ | t_{min} 1 s t_{max} 15 s |
| $3,5 \cdot I_N$ | t_{min} 300 ms t_{max} 5 s |
| $6 \cdot I_N$ | t_{min} 100 ms t_{max} 1 s |

Maße / Dimensions:



$I_N - t$ Kennlinie / $I_N - t$ graph:



Type Midi



| | | | | | |
|----------------------------|-------------|-------------------------|---------------------|---|----------------|
| Spannung Voltage | 32 V | Strom Current | 30 A - 125 A | Ausschaltvermögen Breaking capacity | 2.000 A |
|----------------------------|-------------|-------------------------|---------------------|---|----------------|



Norm / Standard:

ISO 8820-5 (type SF30)

Aufbau / Construction:

Gehäuse / Body:

Kontakte / Terminals:

Befestigungsschraube / Mounting screw:

PA66-GF25

Zink, verzinkt / Zinc, Sn plated

M5

Umgebungstemperatur / Ambient temperature: -40 °C bis / to +125 °C

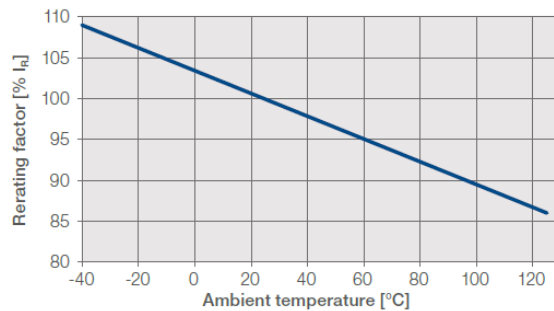
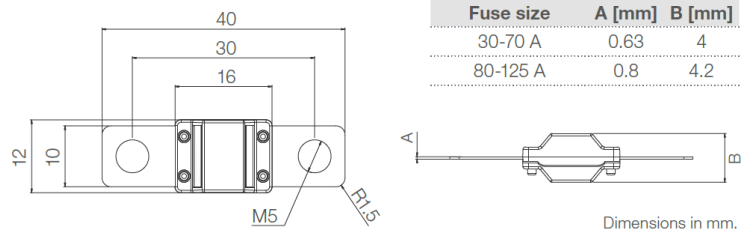
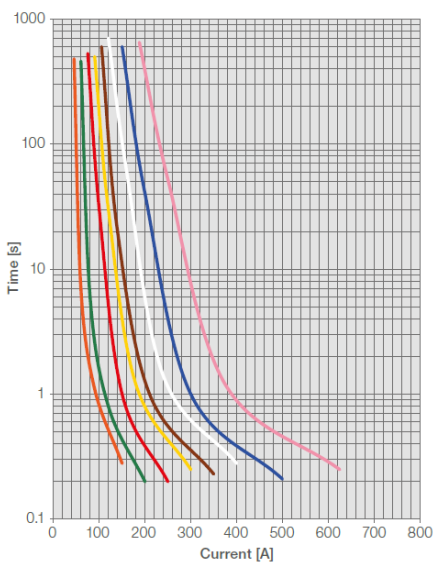
Verpackungsmöglichkeiten / Packing options: Auf Anfrage / On request

Bemessungswerte / Ratings:

| Art. No. | I_N | U_N [V] | I_{BC} [A] | I^2t [A ² s] | Farcode / Color Code |
|----------|-------|-----------|--------------|---------------------------|----------------------|
| 341.410 | 30 A | 32 | 2.000 | 10.523 | Orange / Orange |
| 341.414 | 40 A | 32 | 2.000 | 18.929 | Grün / Green |
| 341.415 | 50 A | 32 | 2.000 | 26.320 | Rot / Red |
| 341.416 | 60 A | 32 | 2.000 | 30.804 | Gelb / Yellow |
| 341.417 | 70 A | 32 | 2.000 | 26.728 | Braun / Brown |
| 341.418 | 80 A | 32 | 2.000 | 56.298 | Weiß / White |
| 341.420 | 100 A | 32 | 2.000 | 34.524 | Blau / Blue |
| 341.425 | 125 A | 32 | 2.000 | 48.601 | Rosa / Pink |

I_N - t Verhalten / I_N - t characteristics:

| Bemessungsstrom-Faktor / Rated current factor | Schmelzzeit / Melting time: | |
|---|-----------------------------|--------|
| | 30 A | 125 A |
| $1,1 \cdot I_N$ | t_{min} | 4 h |
| | t_{max} | - |
| $1,5 \cdot I_N$ | t_{min} | 90 s |
| | t_{max} | 10 h |
| $2 \cdot I_N$ | t_{min} | 3 s |
| | t_{max} | 100 s |
| $3 \cdot I_N$ | t_{min} | 300 ms |
| | t_{max} | 3 s |
| $5 \cdot I_N$ | t_{min} | 100 ms |
| | t_{max} | 1 s |



Type Midi



Spannung
Voltage **32 V**

Strom
Current **30 A - 200 A**

Ausschaltvermögen
Breaking capacity **2.000 A**



Norm / Standard:

ISO 8820-5 (type SF30)

Aufbau / Construction:

Gehäuse / Body:

Kontakte / Terminals:

Befestigungsschraube / Mounting screw:

PA66-GF25

Kupfer, verzinkt / Copper, Sn plated

M5

Umgebungstemperatur / Ambient temperature: -40 °C bis / to +125 °C

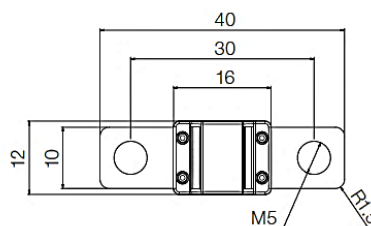
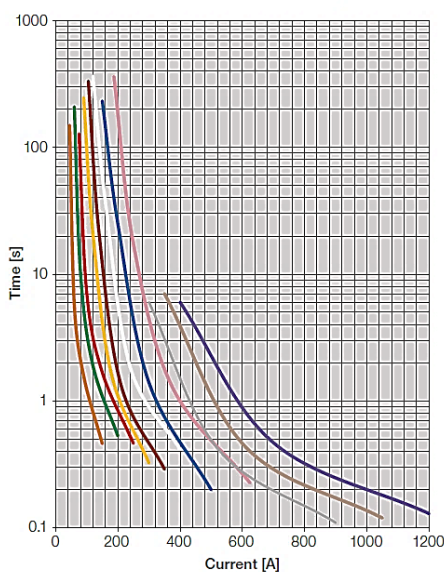
Verpackungsmöglichkeiten / Packing options: Auf Anfrage / On request

Bemessungswerte / Ratings:

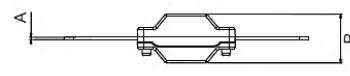
| Art. No. | I_N | U_N [V] | I_{BC} [A] | I^2t [A ² s] | Farcode / Color Code |
|------------|-------|-----------|--------------|---------------------------|-------------------------|
| 341.410-CU | 30 A | 32 | 2.000 | 4.300 | Orange / Orange |
| 341.414-CU | 40 A | 32 | 2.000 | 6.300 | Grün / Green |
| 341.415-CU | 50 A | 32 | 2.000 | 9.800 | Rot / Red |
| 341.416-CU | 60 A | 32 | 2.000 | 16.600 | Gelb / Yellow |
| 341.417-CU | 70 A | 32 | 2.000 | 20.800 | Braun / Brown |
| 341.418-CU | 80 A | 32 | 2.000 | 31.000 | Weiß / White |
| 341.420-CU | 100 A | 32 | 2.000 | 37.500 | Blau / Blue |
| 341.425-CU | 125 A | 32 | 2.000 | 69.500 | Rosa / Pink |
| 341.430-CU | 150 A | 32 | 2.000 | 80.000 | Grau / Grey |
| 341.435-CU | 175 A | 32 | 2.000 | 116.000 | Hellbraun / Light brown |
| 341.440-CU | 200 A | 32 | 2.000 | 172.000 | Violett / Violet |

I_N - t Verhalten / I_N - t characteristics:

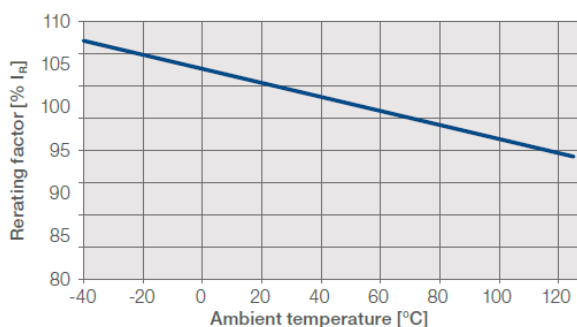
| Bemessungsstrom-Faktor / Rated current factor | Schmelzzeit / Melting time: | |
|---|-----------------------------|--------|
| | 30 A | 150 A |
| 1,1 · I_N | t_{min} | 4 h |
| | t_{max} | - |
| 1,5 · I_N | t_{min} | 90 s |
| | t_{max} | 1 h |
| 2 · I_N | t_{min} | 3 s |
| | t_{max} | 100 s |
| 3,5 · I_N | t_{min} | - |
| | t_{max} | 300 ms |
| 5 · I_N | t_{min} | 100 ms |
| | t_{max} | 1 s |
| 6 · I_N | t_{min} | - |
| | t_{max} | 100 ms |



| Fuse size | A [mm] | B [mm] |
|-----------|--------|--------|
| 30-80 A | 0.40 | 4 |
| 100-200 A | 0.60 | 4 |



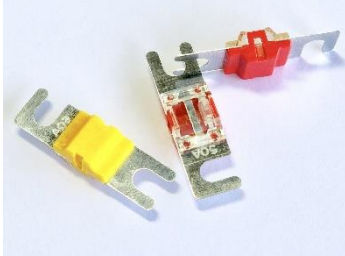
Dimensions in mm.



Type Midi



| | | | | | |
|----------------------------|-------------|-------------------------|---------------------|---|----------------|
| Spannung Voltage | 32 V | Strom Current | 30 A - 200 A | Ausschaltvermögen Breaking capacity | 1.000 A |
|----------------------------|-------------|-------------------------|---------------------|---|----------------|



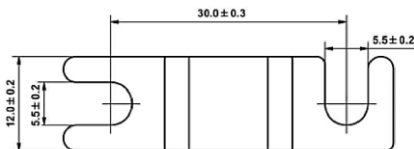
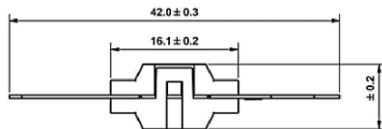
| | |
|---|---|
| Norm / Standard: | SAE J1171 ISO 8820-5 UL 248-13 (Auf Anfrage / On request) |
| Anwendungen / Applications: | Kfz-Bereich & Elektroindustrie / Automobile area & electrical industry |
| Zulässige Umgebungstemperatur / Permissible ambient temperature: | - 20 °C bis / up to +125 °C |
| Gehäuse / Body: | Thermoplaste / Thermoplastic |
| Anschlusskontakt / Terminal contacts: | Kupfer, vernickelt / Copper, nickel plated |
| Lötbarkeit gemäß / Solderability according to: | 60068-2-20 |
| Verpackungsmöglichkeiten / Packing options: | Auf Anfrage / On request |

Bemessungswerte / Ratings:

| Art. No. | I _N | U _N [V] | R _c [Ω] | I _{BC} [A] | Farbcode / Color Code |
|-----------|----------------|--------------------|--------------------|---------------------|-------------------------|
| 341.410-X | 30 A | 32 | | 1.000 | Orange / Orange |
| 341.414-X | 40 A | 32 | | 1.000 | Grün / Green |
| 341.415-X | 50 A | 32 | Auf | 1.000 | Rot / Red |
| 341.416-X | 60 A | 32 | Anfrage | 1.000 | Gelb / Yellow |
| 341.417-X | 70 A | 32 | | 1.000 | Braun / Brown |
| 341.418-X | 80 A | 32 | / | 1.000 | Weiß / White |
| 341.420-X | 100 A | 32 | | 1.000 | Blau / Blue |
| 341.425-X | 125 A | 32 | On | 1.000 | Rosa / Pink |
| 341.430-X | 150 A | 32 | request | 1.000 | Grau / Grey |
| 341.440-X | 175 A | 32 | | 1.000 | Hellbraun / Light brown |
| 341.450-X | 200 A | 32 | | 1.000 | Violett / Violet |

I_N - t Verhalten / I_N - t characteristics:

| Bemessungsstrom-Faktor / Rated current factor | Schmelzzeit / Melting time: | |
|---|-----------------------------|--------|
| | 30 A | 150 A |
| 0,75 · I _N | t _{min} | 4 h |
| | t _{max} | - |
| 1 · I _N | t _{min} | 4 h |
| | t _{max} | - |
| 1,5 · I _N | t _{min} | 90 s |
| | t _{max} | 1 h |
| 2 · I _N | t _{min} | 5 s |
| | t _{max} | 100 s |
| 3 · I _N | t _{min} | 300 ms |
| | t _{max} | 3 |
| 3,5 · I _N | t _{min} | 300 ms |
| | t _{max} | 5 s |



Angaben in mm / Dimension in mm

Type Power



| | | | | | |
|----------------------------|-------------|-------------------------|----------------------|---|----------------|
| Spannung Voltage | 32 V | Strom Current | CAL.1 – CAL.5 | Ausschaltvermögen Breaking capacity | 2.000 A |
|----------------------------|-------------|-------------------------|----------------------|---|----------------|

Norm / Standard:

Werknorm / Factory standard

Aufbau / Construction:

Gehäuse / Body: PA66-GF30
 Kontakte / Terminals: CAL.1, CAL.2: Zinklegierung / Zinc alloy
 CAL.3, CAL.4, CAL.5: Kupfer / Copper
 Befestigungsschraube / Mounting screw: M8



Umgebungstemperatur / Ambient temperature: -40 °C bis / to +125 °C

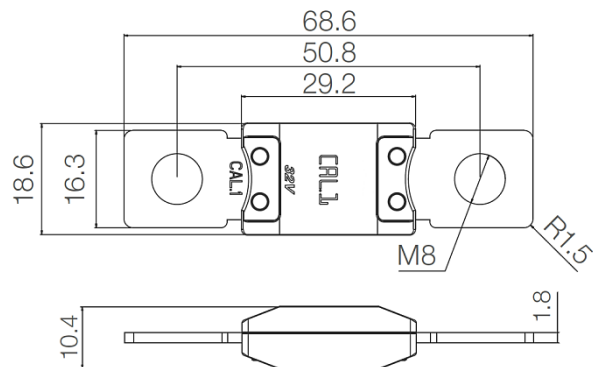
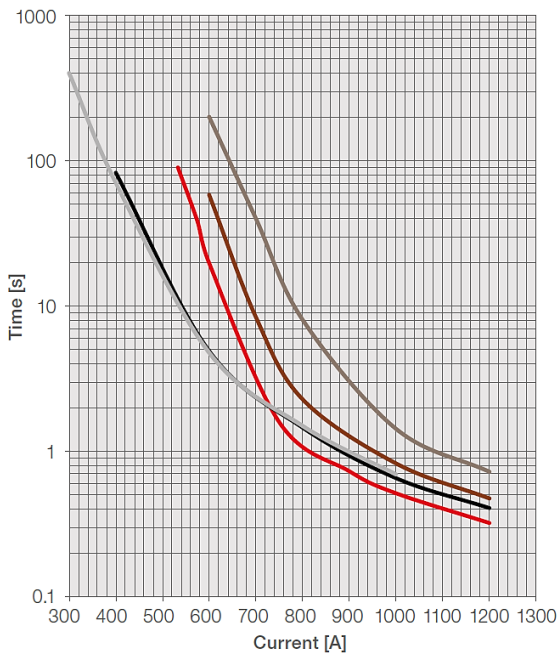
Verpackungsmöglichkeiten / Packing options: 1.000 St. = Industrieverpackung /
 1.000 pcs. = Industrial packaging

Bemessungswerte / Ratings:

| Art. No. | I_N | U_N [V] | U_d [mV] | I_{bc} [A] | I^2t [A ² s] | Farcode / Color Code |
|----------|-------|--------------|---------------|-----------------|------------------------------|-------------------------|
| 341.510 | CAL.1 | 32 | 22 | 2.000 | Auf | Grau / Grey |
| 341.520 | CAL.2 | 32 | 24 | 2.000 | Anfrage | Schwarz / Black |
| 341.530 | CAL.3 | 32 | 30 | 2.000 | / | Rot / Red |
| 341.540 | CAL.4 | 32 | 35 | 2.000 | On | Braun / Brown |
| 341.550 | CAL.5 | 32 | 30 | 2.000 | Request | d.braun / Wheat grey |

I_N - t Verhalten / I_N - t characteristics:

| Bemessungs- strom-Faktor / Rated current factor | t_{min} t_{max} | Schmelzzeit / Melting time: CAL.1 - CAL.5 |
|---|------------------------|--|
| $1,0 \cdot I_N$ | t_{min} t_{max} | Siehe Kennlinien unten / See characteristics below |
| $1,35 \cdot I_N$ | t_{min} t_{max} | |
| $2 \cdot I_N$ | t_{min} t_{max} | |



Ø 6 x 25 mm



| | | | | | |
|----------------------------|-------------|-------------------------|-------------------|---|--------------|
| Spannung Voltage | 32 V | Strom Current | 5 A – 40 A | Ausschaltvermögen Breaking Capacity | 500 A |
|----------------------------|-------------|-------------------------|-------------------|---|--------------|



Norm / Standard (angelehnt an / according to): DIN 72581-1

Anwendung / Application

Automobilindustrie, DC-Anwendungen /
Automotive industry, DC-applications

Aufbau / Construction:

Gehäuse / Body Isolierender Kunststoff / Insulating Plastic
Kontakt / Contact Zinklegierung, verzinkt / Zinc Alloy, tin plated

Verpackungsmöglichkeiten / Packing options:

100 St. = Industrieverpackung /
100 pcs. = Industrial packaging

Bemessungswerte / Ratings:

| Art. No. | I_N | U_N [V] | $U_{d,max}$ [mV] | I_{BC} [A] | I^2t [A ² s] | Farcode / Colour Code |
|----------|-------|--------------|---------------------|-----------------|------------------------------|--------------------------|
| 300.024 | 5 | 32 | 100 | 500 | Auf | Gelb / Yellow |
| 300.026 | 8 | 32 | 100 | 500 | Anfrage | Weiß / White |
| 300.030 | 16 | 32 | 100 | 500 | / | Rot / Red |
| 300.032 | 25 | 32 | 100 | 500 | On | Blau / Blue |

Request

$I_N - t$ Verhalten / $I_N - t$ characteristics:

| Bemessungs- strom-Faktor / Rated current factor | Schmelzzeit / Melting time: |
|---|-----------------------------------|
| | 5 A – 25 A |
| $1,5 \cdot I_N$ | t_{min} 1 h t_{max} - |
| $2,5 \cdot I_N$ | t_{min} 0 t_{max} 1 h |



Torpedo-Sicherungen **300.800**

Torpedo Fuses **DC**



Ø 6 x 25 mm

Blister



Spannung 32 V
Voltage

Strom 5 A – 25 A
Current

Ausschaltvermögen 500 A
Breaking Capacity



Norm / Standard (angelehnt an / according to): DIN 72581-1

Anwendung / Application

Automobilindustrie, DC-Anwendungen /
Automotive industry, DC-applications

Aufbau / Construction:

Gehäuse / Body Isolierender Kunststoff / Insulating Plastic
Kontakt / Contact Zinklegierung, verzinkt / Zinc Alloy, tin plated

Verpackungsmöglichkeiten / Packing options:

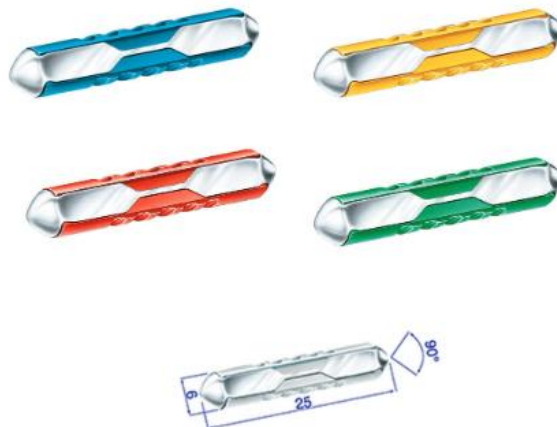
Blisterverpackung = 20 Stück /
Blister = 20 pieces

Bemessungswerte / Ratings:

| I_N | U_N [V] | Anzahl / Quantity | Farb-Code / Color Code |
|-------|--------------|----------------------|---------------------------|
| 5 A | 32 | 2 | Gelb / yellow |
| 8 A | 32 | 8 | Weiß / white |
| 16 A | 32 | 6 | Rot / red |
| 25 A | 32 | 4 | Blau / blue |

I_N - t Verhalten / I_N - t characteristics:

| Bemessungs- strom-Faktor / Rated current factor | Schmelzzeit / Melting time: |
|---|-----------------------------------|
| 2 · I_N | t_{min} Auf |
| | t_{max} Anfrage |
| 4 · I_N | t_{min} / |
| | t_{max} / |
| 10 · I_N | t_{min} On |
| | t_{max} Request |



10 x 31 mm



Farbe
Colour **Gelb / Yellow**



Spezifikationen / Specification:

Anwendungen / Applications:

Kfz-Bereich & Elektroindustrie /
Automobile area & electrical industry

Kompatibel für / Compatible for:

Kfz-Sicherungen / Automotive Fuses
5 x 20 mm G-Sicherungseinsätze
Fuse-links
6,3 x 32 mm G-Sicherungseinsätze
Fuse-links

Aufbau / Construction:

PP (Polypropylene)

Schutzgrad / Degree of protection:

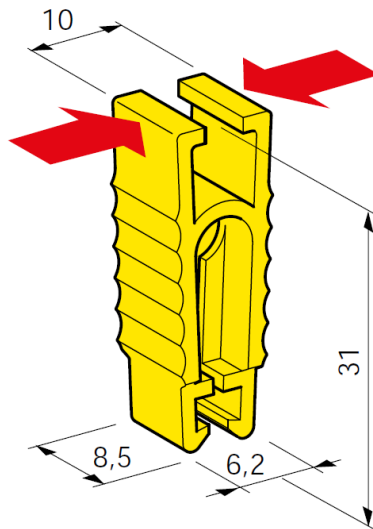
IP00

Farbe / colour:

Gelb / Yellow

Verpackungsmöglichkeiten / Packing options:

500 St. = Industrieverpackung /
500 pcs. = Industrial packaging



Type Standard



| | | | | | |
|----------------------------|-------------|-------------------------|-------------------|---|----------------|
| Spannung Voltage | 58 V | Strom Current | 2 A - 40 A | Ausschaltvermögen Breaking capacity | 1.000 A |
|----------------------------|-------------|-------------------------|-------------------|---|----------------|



Norm / Standard:

UL 248, ISO 8820, SAE J2077

Anwendung / Application

Automobilindustrie, Batteriesysteme bis 58 V /
Automotive industry, battery systems up to 58 V

Aufbau / Construction:

Gehäuse / Body Kunststoff / plastic
Kontakt / Contact Zinklegierung, versilbert / zinc alloy, silver plated

Temperaturbereich / Operating temperature: -40°C bis / to 200°C

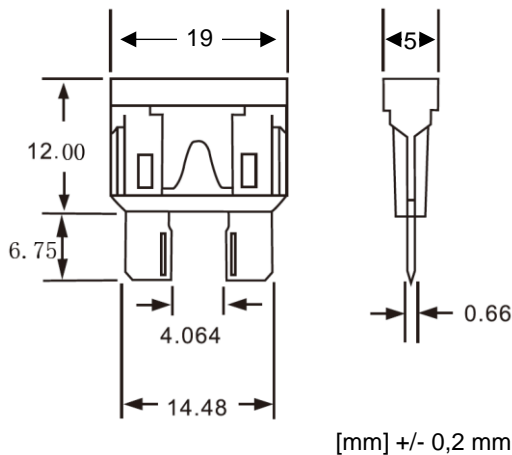
Verpackungsmöglichkeiten / Packing options: Auf Anfrage / On request

Bemessungswerte / Ratings:

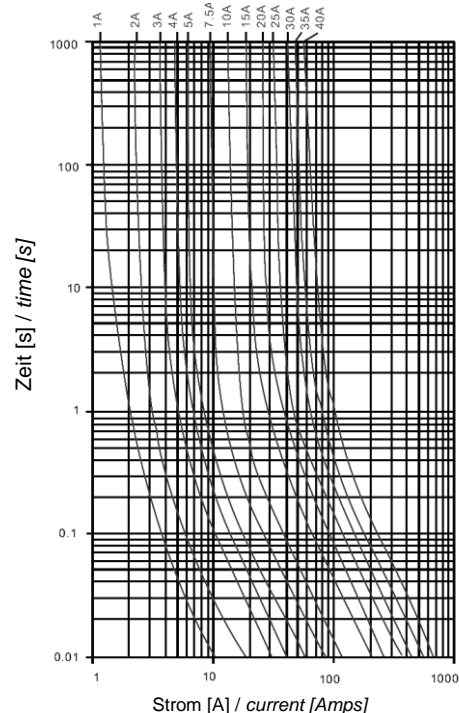
| Art. No. | I_N | $U_{d,max}$ [mV] | R_c [mΩ] | I^2t [A ² s] | Farbcode / Color Code |
|---------------|-------|---------------------|---------------|------------------------------|--------------------------|
| UL340.020-58V | 2 A | | 33,60 | | Grau / Grey |
| UL340.022-58V | 3 A | Auf | 23,75 | Auf | Violett / Purple |
| UL340.024-58V | 5 A | Anfrage | 17,75 | Anfrage | Hellbraun / Tan |
| UL340.026-58V | 7,5 A | / | 10,58 | / | Braun / Brown |
| UL340.027-58V | 10 A | On | 7,82 | On | Rot / Red |
| UL340.029-58V | 15 A | request | 4,58 | request | Blau / Blue |
| UL340.031-58V | 20 A | | 3,21 | | Gelb / Yellow |
| UL340.032-58V | 25 A | | 2,36 | | Natur / Natural |
| UL340.033-58V | 30 A | | 1,58 | | Grün / Green |
| UL340.034-58V | 35 A | | 1,50 | | Hellgrün / Light green |
| UL340.035-58V | 40 A | | 1,35 | | Orange / Orange |

$I_N - t$ Verhalten / $I_N - t$ characteristics:

| Bemessungsstrom-Faktor / Rated current factor | Schmelzzeit / Melting time: |
|--|-------------------------------------|
| $1,1 \cdot I_N$ | t_{min} 4 h t_{max} - |
| $1,35 \cdot I_N$ | t_{min} 0,75 s t_{max} 600 s |
| $2 \cdot I_N$ | t_{min} 0,15 s t_{max} 5 s |
| $3,5 \cdot I_N$ | t_{min} 80 ms t_{max} 250 ms |
| $6 \cdot I_N$ | t_{min} 30 ms t_{max} 100 ms |



I-t Charakteristik / Characteristics:



Type Standard



Spannung
Voltage **58 V**

Strom
Current **1 A - 40 A**

Ausschaltvermögen
Breaking capacity **1.000 A**



Norm / Standard:

UL 248, ISO 8820, SAE J2077

Anwendung / Application

Automobilindustrie, Batteriesysteme bis 58 V /
Automotive industry, battery systems up to 58 V

Aufbau / Construction:

Gehäuse / Body Kunststoff / plastic
Kontakt / Contact Kupfer, verzinkt / Copper, tin plated

Temperaturbereich / Operating temperature: -40°C bis / to 200°C

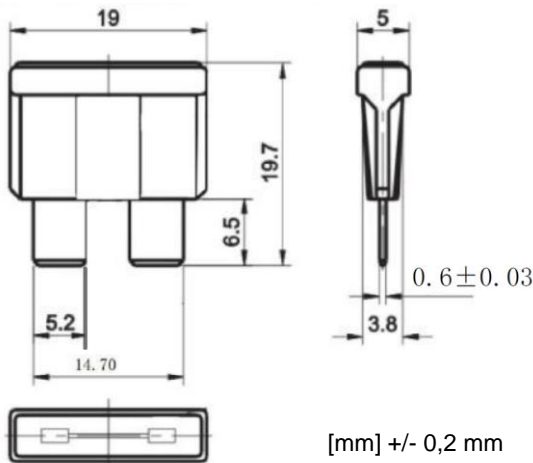
Verpackungsmöglichkeiten / Packing options: Auf Anfrage / On request

Bemessungswerte / Ratings:

| Art. No. | I_N | $U_{d,max}$ [mV] | R_c [mΩ] | I^2t [A ² s] | Farbcode / Color Code |
|------------------|-------|---------------------|---------------|------------------------------|--------------------------|
| UL340.017-58V-CU | 1 A | | 108 | | Schwarz / Black |
| UL340.020-58V-CU | 2 A | | 45,0 | | Grau / Grey |
| UL340.022-58V-CU | 3 A | Auf | 28,5 | Auf | Violett / Purple |
| UL340.024-58V-CU | 5 A | Anfrage | 22,5 | Anfrage | Hellbraun / Tan |
| UL340.026-58V-CU | 7,5 A | / | 16,5 | / | Braun / Brown |
| UL340.027-58V-CU | 10 A | On | 11,5 | On | Rot / Red |
| UL340.029-58V-CU | 15 A | request | 6,8 | request | Blau / Blue |
| UL340.031-58V-CU | 20 A | | 4,3 | | Gelb / Yellow |
| UL340.032-58V-CU | 25 A | | 3,1 | | Natur / Natural |
| UL340.033-58V-CU | 30 A | | 2,3 | | Grün / Green |
| UL340.034-58V-CU | 35 A | | 1,9 | | Hellgrün / Light green |
| UL340.035-58V-CU | 40 A | | 1,4 | | Orange / Orange |

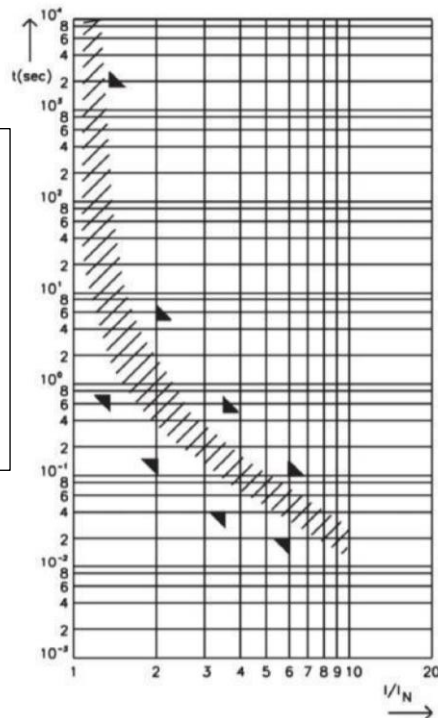
I_N - t Verhalten / I_N - t characteristics:

| Bemessungs- strom-Faktor / Rated current factor | Schmelzeit / Melting time: |
|---|---------------------------------------|
| $1,1 \cdot I_N$ | t_{min} 360 s t_{max} - |
| $1,35 \cdot I_N$ | t_{min} 0,75 s t_{max} 30 min. |
| $2 \cdot I_N$ | t_{min} 0,15 s t_{max} 5 s |
| $3,5 \cdot I_N$ | t_{min} 40 ms t_{max} 500 ms |
| $6 \cdot I_N$ | t_{min} 20 ms t_{max} 100 ms |



I-t Charakteristik / Characteristics:

Max. Dauerbetriebsstrom /
max. operating current:
0,75 x I_N at 23°C



Sicherungshalter
für die hier gezeigten Sicherungen finden Sie jetzt in unserem
[Sicherungshalter-Katalog](#)

Fuse Holders
for the fuses displayed here can now be found in our
[fuse holder catalogue](#)